



Air Conditioning

PLFY-P VEM Series



Ceiling Cassette | 4-Way Airflow

PLFY-P140VEM

16kW Ceiling Cassette | 4-Way Airflow



Mitsubishi Electric introduces the new PLFY-P140VEM ceiling cassette to the VRF (variable refrigerant flow) PLFY-P32-125VEM product range. This 16kW unit increases the City Multi 4-way cassette options for greater flexibility in design while maintaining all the features and benefits of the existing line-up.

Optimise Your Airflow

2, 3, 4-Way Airflow Pattern Selection

Three outlet options to choose from: bi-directional, three-way, and four-way to suit different types of installation. Select, for example, four-directional for installation in the center of the room and three-directional for installation in the corner.



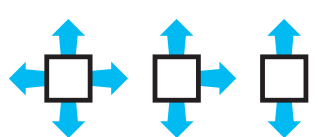
Individual Vane Angle Settings

Vane directions can be changed or fixed from the remote controller to direct the supply air at or away from the occupants in the room.



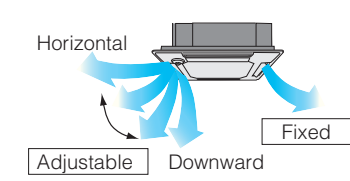
Multi Directional Air Conditioning

The combination of individual vane setting, which enables the optimal outlet setting for each room layout, and the wide airflow function works to ensure even temperature distribution throughout each room. The result helps to create an evenly conditioned living environment.



2, 3, 4-way airflow pattern selection.

*Optional shutter placement is required for 2 and 3-way patterns.



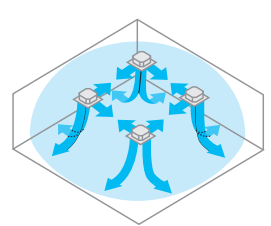
Horizontal

Adjustable

Downward

Fixed

Airflow direction at each vane can be set using the wired remote controller or the wireless remote controller (PAR-SL100A-E).



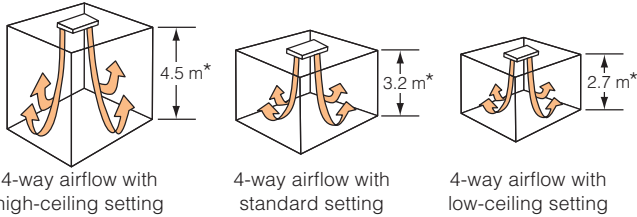
2, 3, 4-way airflow pattern selection

+

Individual vane angle settings

Equipped with High & Low Ceiling Modes

Units are equipped with high and low-ceiling operation modes that make it possible to switch the airflow volume to match a room's height. The ability to choose the optimum airflow volume makes it possible to optimise the breezy sensation felt throughout the room.



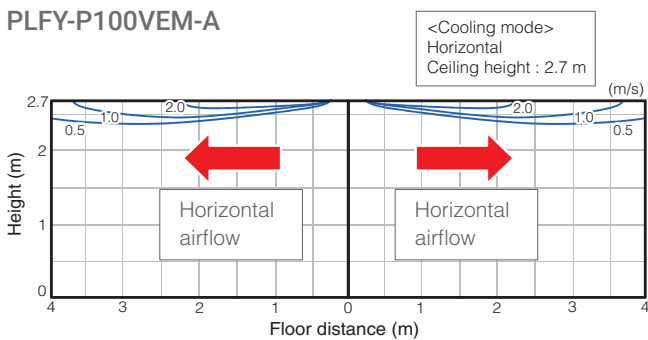
*P100

PLFY-P VEM-A	32/40/50/63/80			100/125/140		
	High-Ceiling Setting	Standard Setting	Low-Ceiling Setting	High-Ceiling Setting	Standard Setting	Low-Ceiling Setting
4-Way	3.5m	2.7m	2.5m	4.5m	3.2m	2.7m
3-Way	3.5m	3.0m	2.7m	4.5m	3.6m	3.0m
2-Way	3.5m	3.3m	3.0m	4.5m	4.0m	3.3m

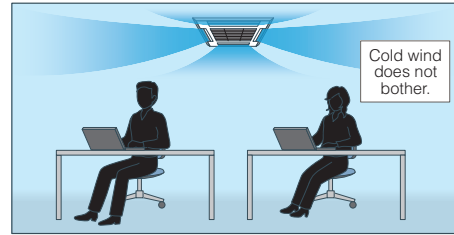
Horizontal Airflow

Air supply is horizontally fed into the space to reduce the feeling of cold draft suitable for offices and restaurants.

Airflow Distribution



Horizontal Airflow



Various Options

3D i-see Sensor

Detects Occupants (Optional)

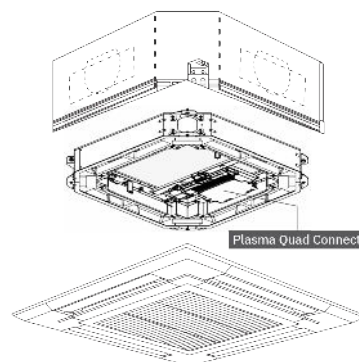
3D i-See Sensor detects the occupancy of people in the room and sets the air conditioning settings accordingly. This makes automatic power-saving operation possible in high traffic areas/places. Additionally, when the area is continuously unoccupied, the system switches to an enhanced power-saving mode.

Plasma Quad Connect Filter (Optional)

The air purifying filter "Plasma Quad Connect" is a secondary filter connected to your air conditioner and is compatible with the PLFY-P VEM Series. Plasma Quad technology significantly improves indoor air quality by inhibiting six key indoor pollutants; Influenza virus*¹, bacteria*², PM2.5*¹, allergens*³, mould*¹ and dust*³.

Cassette Unit Installation

The Plasma Quad Connect is housed in a bespoke casement.



*1 Testing Standard JEM1467:2015, tested on MSZ-AP35VG.

*2 Testing Standard JEM1467:2015, tested on MSZ-AP25VG.

*3 Testing Standard Elisa Sandwich, tested on filter only.

Product Specifications

PLFY-P VEM-A			PLFY-P32VEM-A	PLFY-P40VEM-A	PLFY-P50VEM-A	PLFY-P63VEM-A	
Indoor Unit							
Refrigerant			R410				
Power Supply			1-phase 220-240V 50Hz, 1-phase 220-230V 60Hz				
Cooling	Capacity [Nominal]*1	kW	3.6	4.5	5.6	7.1	
	Power Input	kW	0.03				
	Current Input	A	0.32			0.36	
Heating	Capacity [Nominal]*2	kW	4.0	5.0	6.3	8.0	
	Power Input	kW	0.03				
	Current Input	A	0.25			0.29	
External Finish			Galvanised steel sheet				
External Dimension [H x W x D]		mm	258 x 840 x 840				
Net Weight		kg	19			21	
Grille	Model		PLP-6EA				
	External Finish		MUNSELL (1.0Y 9.2/0.2)				
	Dimension [H x W x D]		mm	40 x 950 x 950			
	Net Weight		kg	5			
Heat Exchanger			Micro slit fin (aluminum fin and copper tube)				
Fan	Type x Quantity		Turbo fan x 1				
	Motor Type		DC motor				
	Motor Output		kW	0.050			
	Driving Mechanism		Direct-drive				
	Airflow Rate [Low-Mid2-Mid1-High]		m ³ /min L/S	13 - 14 - 16 - 17 217 - 233 - 267 - 283	13 - 14 - 16 - 18 217 - 233 - 267 - 300	13 - 14 - 16 - 19 217 - 233 - 267 - 317	15 - 16 - 17 - 19 250 - 267 - 283 - 317
Sound Pressure Level [Low-Mid-High] [Measured in anechoic room]		dB <A>	26 - 27 - 29 - 31			28 - 29 - 30 - 32	
Insulation Material			PS				
Air Filter			PP honeycomb				
Protection Device			Fuse				
Refrigerant Control Device			LEV				
Connectable Outdoor Unit			R410A City Multi				
Ext. Piping	Diameter [Liquid]	mm (inch)	ø6.35 (ø1/4) Flare			ø9.52 (ø3/8) Flare	
	Diameter [Gas]	mm (inch)	ø12.7 (ø1/2) Flare			ø15.88 (ø5/8) Flare	
	Field Drain Pipe Size		mm (inch)	O.D. ø32 (VP-25)			
Standard Attachment	Document Accessory		Installation manual, instruction book				
	Optional Parts						
Remark	Grille		PLP-6EA				
	Air Outlet Shutter Plate		PAC-SJ37SP-E				
	High Efficiency Filter Element		PAC-SH59KF-E				
	Multi-Function Casement		PAC-SJ41TM-E				

Notes:

*Details on foundation work, duct work, insulation work, electrical wiring, power source switch, and other items shall be referred to the installation manual.

*Nominal conditions *1 are subject to JIS B8615-1.

*Due to continuing improvement, above specifications may be subject to change without notice.

*1 Nominal cooling conditions:

Indoor: 27°C D.B./19°C W.B., Outdoor: 35°C D.B.

Pipe length: 7.5m (24-9/16ft.), Level difference: 0m (0ft.)

*2 Nominal heating conditions:

Indoor: 20°C D.B., Outdoor: 7°C D.B./6°C W.B.

Pipe length: 7.5m (24-9/16ft.), Level difference: 0m (0ft.)

PLFY-P VEM-A			PLFY-P80VEM-A	PLFY-P100VEM-A	PLFY-P125VEM-A	PLFY-P140VEM-A	
Indoor Unit							
Refrigerant			R410				
Power Supply			1-phase 220-240V 50Hz, 1-phase 220-230V 60Hz				
Cooling	Capacity [Nominal]*1	kW	9.0	11.2	14.0	16.0	
	Power Input	kW	0.05	0.07	0.11		
	Current Input	A	0.50	0.67	1.06		
Heating	Capacity [Nominal]*2	kW	10.0	12.5	16.0	18.0	
	Power Input	kW	0.05	0.07	0.11		
	Current Input	A	0.43	0.60	0.99		
External Finish			Galvanised steel sheet				
External Dimension [H x W x D]		mm	258 x 840 x 840	298 x 840 x 840			
Net Weight		kg	21	24			
Grille	Model		PLP-6EA				
	External Finish		MUNSELL (1.0Y 9.2/0.2)				
	Dimension [H x W x D]		mm	40 x 950 x 950			
	Net Weight		kg	5			
Heat Exchanger			Micro slit fin (aluminum fin and copper tube)				
Fan	Type x Quantity		Turbo fan x 1				
	Motor Type		DC motor				
	Motor Output		kW	0.050	0.120		
	Driving Mechanism		Direct-drive				
	Airflow Rate [Low-Mid2-Mid1-High]		m ³ /min L/S	15 - 18 - 20 - 23 250 - 300 - 333 - 383	20 - 23 - 26 - 29 333 - 383 - 433 - 483	24 - 26 - 30 - 35 400 - 433 - 500 - 583	22 - 27 - 31 - 35 367 - 450 - 517 - 583
Sound Pressure Level [Low-Mid-High] [Measured in anechoic room]		dB <A>	28 - 31 - 34 - 37	34 - 37 - 39 - 41	35 - 39 - 42 - 45	36 - 39 - 42 - 45	
Insulation Material			PS				
Air Filter			PP honeycomb				
Protection Device			Fuse				
Refrigerant Control Device			LEV				
Connectable Outdoor Unit			R410A City Multi				
Ext. Piping	Diameter [Liquid]	mm (inch)	ø9.52 (ø3/8) Flare				
	Diameter [Gas]	mm (inch)	ø15.88 (ø5/8) Flare				
	Field Drain Pipe Size	mm (inch)	O.D. ø32 (VP-25)				
Standard Attachment	Document Accessory		Installation manual, instruction book				
	Optional Parts						
Remark	Grille		PLP-6EA				
	Air Outlet Shutter Plate		PAC-SJ37SP-E				
	High Efficiency Filter Element		PAC-SH59KF-E				
	Multi-Function Casement		PAC-SJ41TM-E				

Notes:

*Details on foundation work, duct work, insulation work, electrical wiring, power source switch, and other items shall be referred to the installation manual.

*Nominal conditions *1 are subject to JIS B8615-1.

*Due to continuing improvement, above specifications may be subject to change without notice.

*1 Nominal cooling conditions:

Indoor: 27°C D.B./19°C W.B., Outdoor: 35°C D.B.

Pipe length: 7.5m (24-9/16ft.), Level difference: 0m (0ft.)

*2 Nominal heating conditions:

Indoor: 20°C D.B., Outdoor: 7°C D.B./6°C W.B.

Pipe length: 7.5m (24-9/16ft.), Level difference: 0m (0ft.)



MitsubishiElectric.com.au