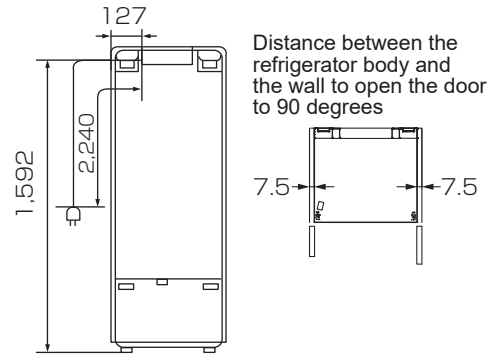
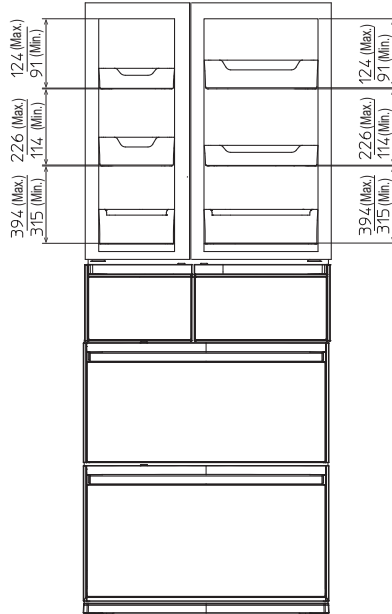
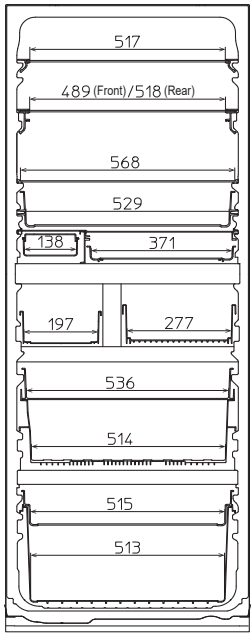
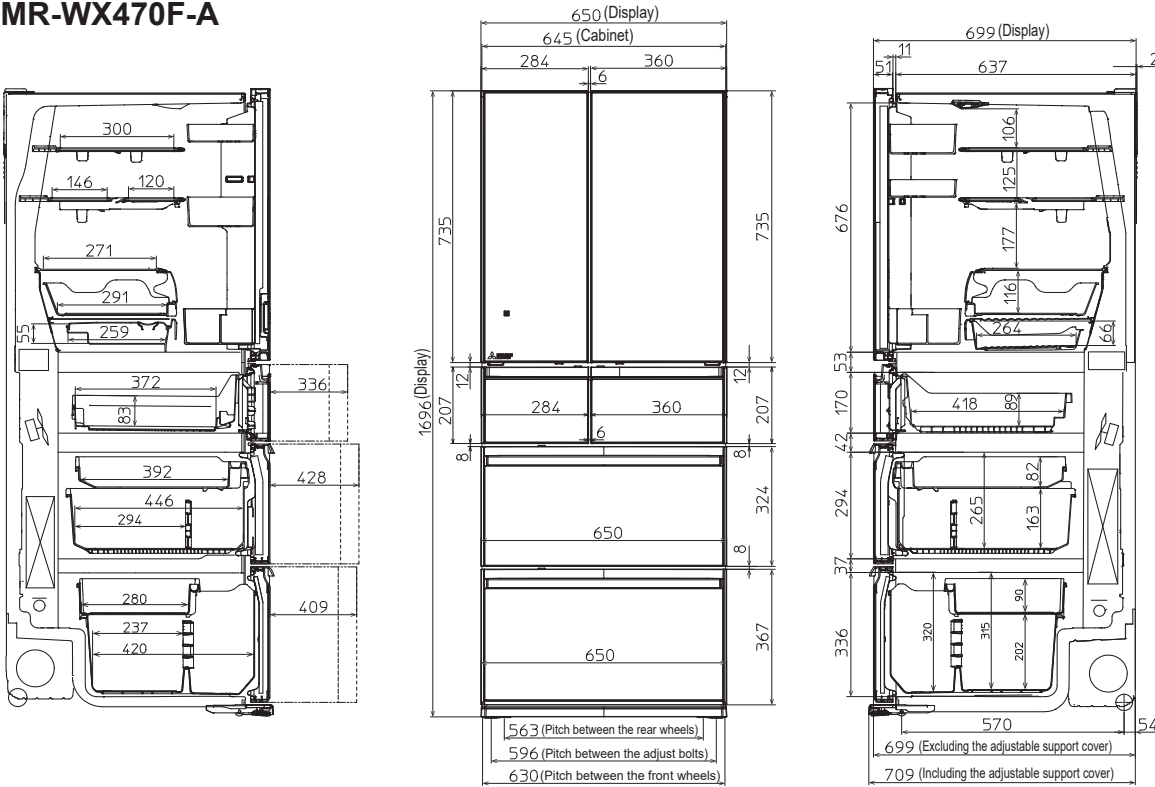
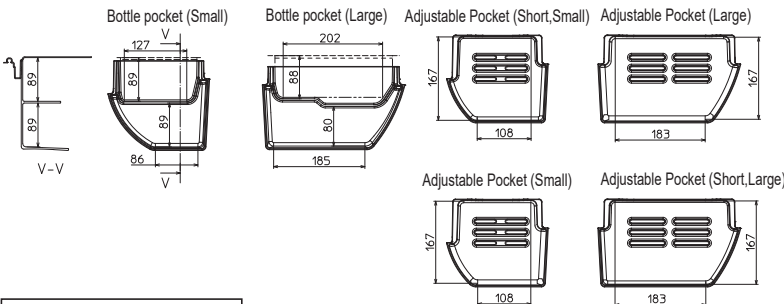
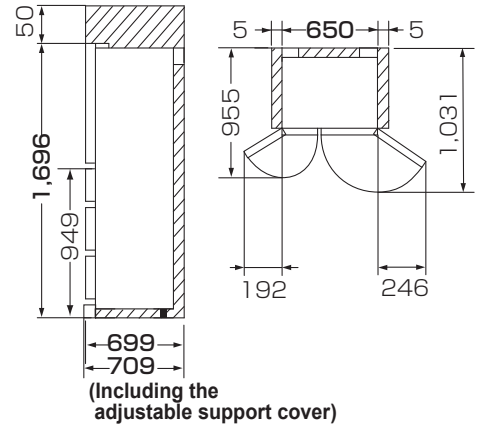


MR-WX470F-A

Unit: mm



REQUIRED SPACE FOR INSTALLATION



DOOR DIMENSION

| | R(L) | R(R) | I | S | F | V |
|--------|------|------|-----|-----|-----|-----|
| Height | 735 | 735 | 207 | 207 | 324 | 367 |
| Width | 284 | 360 | 284 | 360 | 650 | 650 |

- R(L) : Refrigerator compartment (Left)
- R(R) : Refrigerator compartment (Right)
- I : Ice making compartment
- S : Supercool freezing compartment
- F : Freezer compartment
- V : Vegetable compartment