

**Light is Right —  
You're Set for Action Anywhere, Anytime.**



# XD50U

## Great Features in Compact Body

- 1500 ANSI Lumens - maximum
- High Contrast Ratio of 1500:1
- 1.5kg / 3lbs & 2" Thin
- 2000-hour Lamp Life

## User-Friendly Operation

- Vertical Digital Keystone Correction
- Digital Expanded Zoom (1~10X)
- PC Card Presentation
- Presentation Timer



# XD50U XGA/1.5kg/1500 ANSI Lumens



## Specifications

<b>Model</b>	<b>XD50U</b>
Display technology	0.7" DMD chip
Resolution	1024 x 768 (total 786,432 pixels), 500 video lines
Brightness	1500 ANSI lumens - maximum
Colour	16,777,216 colours
Contrast ratio	1500 : 1 (on / off)
Zoom / focus	Manual control (zoom ratio: 1.2: 1)
Picture size	26.2" ~ 200" (100" = 3.9m)
Source lamp	150W / 1500hrs (normal mode), 120W / 2000hrs (low mode)
Computer compatibility	XGA® (640 x 480 ~ 1280 x 1024), True: 1024 x 768, Sync on green available
Video compatibility	NTSC 3.58 / NTSC 4.43 / PAL (including PAL-M, N) / SECAM, PAL-60, DVD (component) / HDTV (480p, 1080i (60Hz), 720p (60Hz))
Input terminals	RGB: DVI-I 29 pin x 1, Audio: Stereo mini jack (ø 3.5mm) x 1, Video: RCA x 1 + S-Video x 1
Audio speaker	0.5 W Mono
Fan noise	36.8dB (Low mode)
Dimensions (W x H x D)	190 x 53 x 239 mm / 7.5" x 2.1" x 9.4" (excluding height adjuster)
Weight	1.5 kg / 3.4 lbs
Power supply	AC 100 ~ 240 V / ±10%, 50/60 Hz

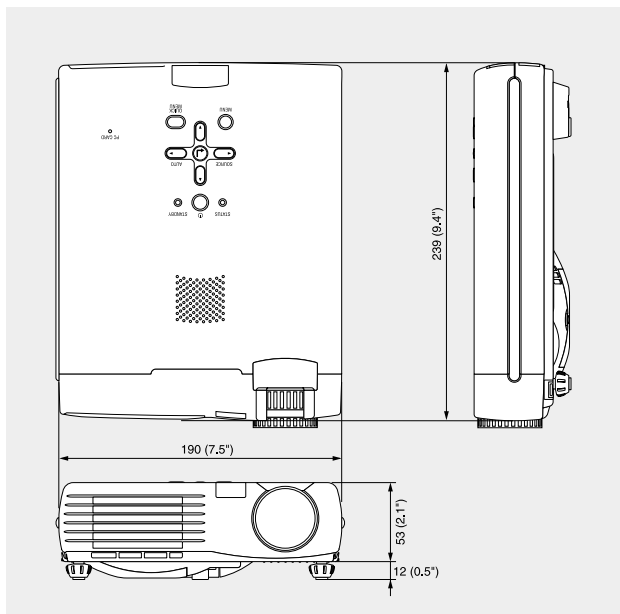
\* Windows is a registered trademark of Microsoft Corporation. \* Macintosh is a registered trademark of Apple Computer Inc. \* SXGA, XGA and SVGA are registered trademarks of IBM Corporation.  
 \* DLP (Digital Light Processing) is a trademark of Texas Instruments.  
 \* All brand names and product names are trademarks, registered trademarks or trade names of their respective holders.

## Input and Output Terminals

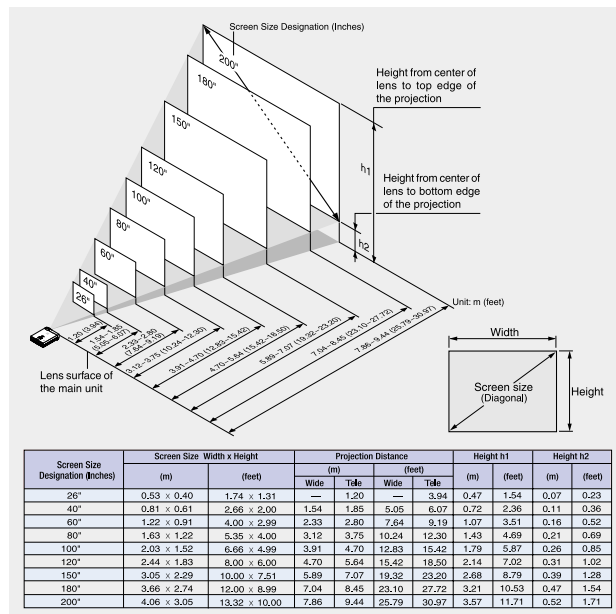


- ① RGB (Analog / Digital) Input (DVI-I)
- ② RGB / Video Audio Input (Stereo mini jack)
- ③ Composite-Video (RCA) Input (RCA pin)
- ④ S-Video Input
- ⑤ PC Card Slot (for Compact Flash Card Only)

## Dimensions (unit: mm, inch)



## Projection Distance and Screen Size



**MITSUBISHI ELECTRIC AUSTRALIA**

348 VICTORIA RD, RYDALMERE NSW 2116 PH: (02) 9684 7777 FAX: (02) 9684 7208

To find out more about sRGB and our projectors, visit us at

[www.mitsubishi-electric.com.au](http://www.mitsubishi-electric.com.au)  
[Global.MitsubishiElectric.com/projectors/](http://Global.MitsubishiElectric.com/projectors/)