



MULTIMEDIA DATA/VIDEO LCD PROJECTOR

Can a small projector really satisfy your presentation demands?

XGA
1100
ANSI LUMENS
Typical

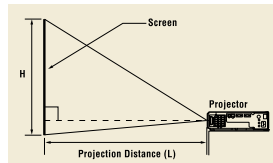


LVP-X70U

Specifications LVP-X70U

Display technology	0.9-inch polysilicon panel x 3 (with micro lens)
Resolution	1024 x 768 (total 2,359,296 pixels)
Brightness	1100 ANSI Lumens (Typical)
Colours	16,770,000
Zoom / focus	Manually controlled (zoom ratio 1.3:1)
Picture size	40" to 300" diagonal
Source lamp	150W UHP bulb; (Lamp Lifetime: 2,000 hours)
Computer compatibility	Windows based PC, Macintosh, Sync. on green Resolution; VGA (640 x 400), SVGA (800 x 600), XGA (1024 x 768), SXGA Compressed (1280 x 1024)
Video compatibility	NTSC, NTSC4.43, PAL, SECAM, PAL-N, PAL-M, PAL-60, DVD, HDTV
Input terminals	PC : RGB: mini D-sub 15pin x 1 Video : RCA-pin jack S-video Audio : RCA-pin jack (stereo)
Output terminals	PC : RGB: mini D-sub 15pin x 1
Communication terminals	RS-232C x 1 (direct command available) : DIN8-pin USB terminal for mouse
Scanning rates	Horizontal: 15-92kHz, Vertical: 50-85kHz Dot clock: max 160MHz
Speakers	Built-in 1W MONO
Remote control	Laser pointer
Power consumption	230W
Dimensions (WxHxD)	242mm x 79mm x 294mm (excluding lens)
Weight	3.2kg / 7lbs
Power supply	AC100-240V+10%, 50/60Hz
Fan noise	37db

Screen Size and Projection Distance

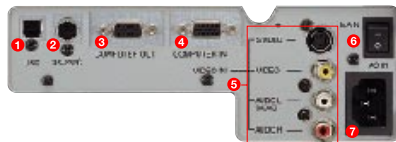


Screen size			Projection distance	
Inches	Width	Height(H)	Wide (shortest)	Tele (longest)
40	81	61	140	184
60	122	91	213	279
80	163	122	286	374
100	203	152	360	469
120	244	183	433	564
140	284	213	506	659
160	325	244	579	754
180	366	274	652	849
200	406	305	725	944
300	610	457	1070	1393

[cm]

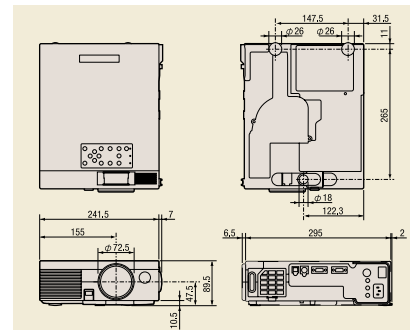
Windows® is a registered trademark of Microsoft Corporation.
Macintosh® is a registered trademark of Apple Computer, Inc.
XGA and SXGA are registered trademarks of IBM Corporation.
All other products or brand names are trademarks or registered trademarks of their respective holders.

Input and Output Terminals
(standard video board)



- 1 USB input
- 2 RS-232C input (D-SUB 9P)
- 3 PC analogue RGB input (mini D-SUB 15P)
- 4 PC analogue RGB output (mini D-SUB 15P)
- 5 Video/audio input
- 6 Main Power
- 7 Power jack

Dimensions (unit: mm)



MITSUBISHI ELECTRIC AUSTRALIA PTY LTD
348 VICTORIA RD RYDALMERE NSW 2116 PH (02) 9684 7777, FAX (02) 9898 0484 www.mitsubishi-electric.com.au



Natural Colour Matrix

Natural Colour Matrix

Natural Colour Matrix is a special algorithm IC developed by Mitsubishi Electric. It enables LVP Series polysilicon display panels to project RGB and YMC (Yellow Magenta Cyan) colour spectra that are equal to those of CRTs. And since all six colour signals can be adjusted separately, Natural Colour Matrix enables our projectors to deliver superior reproduction of even subtle colours such as pastels and flesh tones.

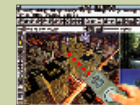


Comparison of projected images under normal indoor light



Remote Control with Laser Pointer

The laser pointer on the handheld remote control unit allows the presenter to quickly and easily pinpoint or highlight specific parts of an image on screen for emphasis.



You Better Believe It!

The New Mitsubishi Ultra Mobile is Powerful, Versatile, Bright and Compact.

3.2 kg

Ultra Compact/ Super-Lightweight Design

The new series boasts a cool design with ultra-compact dimensions and a super-light weight of 3.2kg (7lbs). For even greater mobility, these models come with an attractive soft-lined carrying case with shoulder strap.



CineView™ Built-in Line Doubler

New Line Doubler technology ensures high-quality images with clear definition. It memorizes previous- and next-image fields and then processes the signals with "extra motion detection" to smooth out horizontal and diagonal lines for finer, sharper moving images.



Digital Keystone Correction

Digital Keystone Correction produces picture-perfect images even when the projector angle is far from ideal. It minimizes trapezoidal image distortion and eliminates zigzag when projecting at an angle up to 15 degrees from perpendicular to the screen.



Digital-Expanded Zoom

Explain and show details of your presentation more clearly with Mitsubishi's Point-'n-Zoom feature. This variable digital enlargement function allows a section of an image to be magnified for better, clearer viewing.

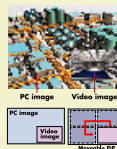


Or expand a portion to full-screen size and keep the original image in a PiP.



2 live Picture-in-Picture (PiP)

This range of ultra-portable projectors offers the handy moving image PiP function. Now you can show moving images from two different sources (PC and video) at the same time using the PiP, thus doubling visual information and presentation impact.



Long-Life, Power-Efficient Lamp

All models in the series are powered by a bright 150W UHP lamp with an extended life of 2,000 hours.



USB Mouse Port

For maximum productivity, the X70 Series supports a USB mouse.

Full Loaded Bright XGA



XGA

LVP-X70U

1100
ANSI Lumens
(Typical)