



**MITSUBISHI  
ELECTRIC**

MULTIMEDIA DATA/VIDEO PROJECTORS

*Changes for the Better*

**XL2550U**

**4000lm**  
Brightness

**4000hrs**  
Long Life Lamp  
*(with lamp low mode)*

**29dBA**  
Fan Noise  
*(with lamp low mode)*

*An evolution in projector excellence  
The embodiment of big screen impact*

**XL1550U**

**3100lm**  
Brightness

**5000hrs**  
Long Life Lamp  
*(with lamp low mode)*

**22dBA**  
Fan Noise  
*(with lamp low mode)*



**XL2550U/XL1550U**

INSTALLATION XGA PROJECTOR



**BrightEra™**  
(XL2550U)

**Long focus lenses engineered for ceiling suspended installations**

Equipped with our long focus lens designed for ceiling suspended installation in auditoriums and other large indoor venues, these new models create bright, clear and dynamic images. Optional interchangeable lenses tooled to meet specific tastes and needs are also available.

**Fan noise is a hushed 22dBA, almost too quiet to notice (XL1550U)**

Fan noise is barely perceptible at 22dBA\* (XL1550U). Even in cramped room conditions, clear and quiet presentations are guaranteed.

(\*): When used at the low lamp mode.

Trembling leaves	20dBA
Whispering voices	30-40dBA
Daytime residential district	40dBA and above

**Bright 4000lm with BrightEra™ LCD panels (XL2550U)**

The XL2550U model is equipped with newly developed BrightEra™ LCD panels. These panels include inorganic orientation film and vertical orientation liquid crystal to bring improvements in reliability of light resistance. What's more, our new drive system (double-speed field inversion drive) solves nagging liquid crystal orientation distortion caused by pixel line voltage gaps. The result is a high pixel aperture ratio, which increases light efficiency to a whole new level.



1000lm

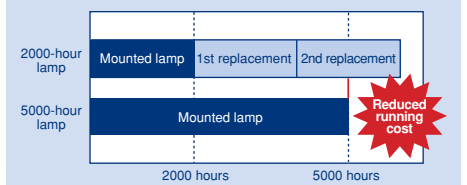


4000lm

**Long Lamp Life - Up to 5000 hours (XL1550U)**

Designed with a light source lamp temperature control, the XL1550U model can support a lamp life of up to 5000 hours\*1. This support for a long lamp life makes dramatic reductions in overall cost of ownership by decreasing the frequency of lamp replacements.

**Lamp Replacement Frequency\*2**



(\*1): When used at the low lamp mode. Maximum lamp life at standard mode use is 2,000 hours. (\*2): Lamp life refers to the average time required for brightness to be reduced by half, and not the time specified in the warranty. Use time may vary widely by the environment and conditions, and whether or not cleaning and other maintenance procedures are followed.



# XL2550U/XL1550U

## INSTALLATION XGA PROJECTOR



### Side Lamp Replacement

A side-loading lamp design makes lamp replacement quick and efficient. With this time saving design, you can leave the projector in place, and simply extract the old lamp from its side, saving you time and money.



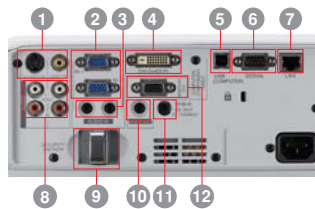
### Anti-Theft Security Hook

A secure cable or chain may be passed through the anti-theft security hook to help prevent unauthorised removal of the projector unit from the premises.

Note: Mitsubishi Electric cannot accept responsibility for thefts occurring despite use of this safety feature.

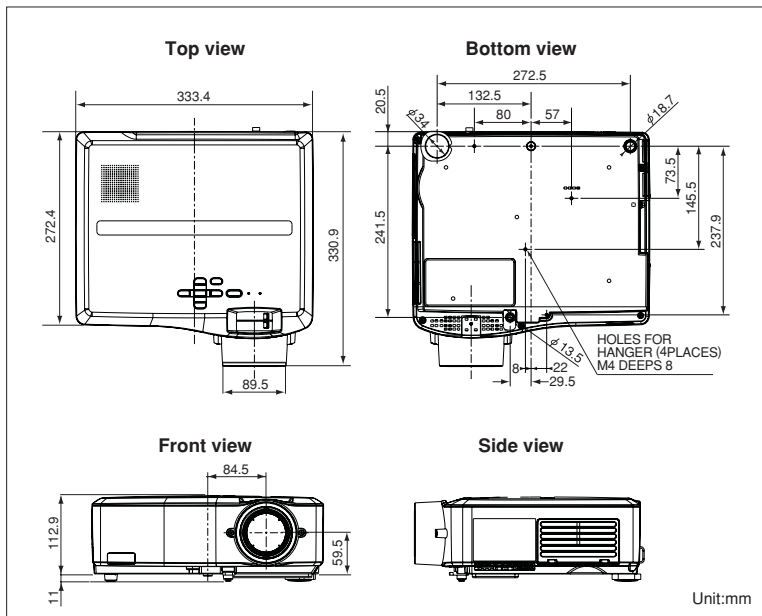
### Input and Output Terminals

Enhanced terminal group realizes a versatile range of presentations.



- 1 S-Video / Video input
- 2 PC / Component Video input (mini D-sub 15pin)
- 3 PC / Audio input
- 4 DVI-D(with HDCP) input
- 5 USB terminal
- 6 Serial RS-232C(D-sub 9pin)
- 7 LAN(RJ-45)
- 8 Video / Audio input
- 9 Security Hook
- 10 Audio output
- 11 DC Out 5V 1.5A(Max)
- 12 Monitor output

### Dimensions



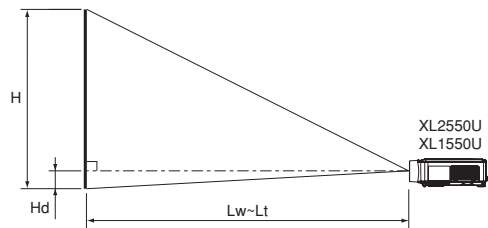
### Specifications

Model	XL2550U	XL1550U
Display technology	0.8" 3-LCD	
Resolution	1024 x 768(total 786,432 pixels)	
Brightness (Max.)	4000lm	3100lm
Contrast	600: 1(on/off)	400: 1(on/off)
Projection lens	f=29-37mm, F1.7-2.0	
Picture Size	40"~300"(100"=3.6~4.6m)	
Source lamp**	220W (Shut Off Time 4000Hrs) with Low Mode 261W (Shut Off Time 2000Hrs) with Standard Mode	160W (Shut Off Time 5000Hrs) with Low Mode 200W (Shut Off Time 2000Hrs) with Standard Mode
Computer compatibility	640 x 480~1600 x 1200 True: 1024 x 768, Sync on green available	
Video compatibility	NTSC/NTSC4.43/PAL(including PAL-M, N)/SECAM/PAL-60 Component Video: 480i/p(525i/p),576i/p(625i/p),720p(750p 50/60Hz),1080i(1125i 50/60Hz),SCART(RGB+1V sync)	
PC input terminals	PC: mini D-sub 15pin x 2, DVI-D(with HDCP) x 1 Audio: stereo mini(ø3.5) x 2	
Video input terminals	Video: RCA x 1, S-video x 1, Audio: RCA (L,R) x 2	
Output terminals	Monitor Out: mini D-sub 15pin x 1, DC Out: 5V 1.5A(MAX) Audio: stereo mini(ø3.5) x 1	
Communication terminals	LAN(RJ-45) x 1, RS-232C(D-Sub 9 pin) x 1 USB terminal for mouse control x 1	
Audio speaker	3W mono	
Dimension (WxHxD)	333 x 113 x 272mm 13.1X4.4X10.7inch (excluding height adjustment)	
Weight	4.7kg / 10.4lbs	
Power supply	AC100 - 240V, 50/60Hz	
Optional lamp	VLT-XL650LP	VLT-XL550LP

\*"BrightEra" and **BrightEra** are trademarks of Sony corporation.  
\*All brand names and product names are trademarks, registered trademarks or trade names of their respective holders.  
\*\*Approximate figure representing average operational life cycle.

### Screen size and Projection distance

As seen from the side



### Screen size chart (4:3 aspect ratio)

Diagonal Size		Screen				Distance from screen				Height projected image (Hd)	
inch	cm	Width	Height	Max. Zoom	Min. Zoom	inch	m	inch	m	inch	cm
40	102	32	81	24	61	55	1.4	71	1.8	2.4	6
60	152	48	122	36	91	84	2.1	108	2.7	3.6	9
80	203	64	163	48	122	113	2.9	145	3.7	4.8	12
100	254	80	203	60	152	142	3.6	182	4.6	6.0	15
150	381	120	305	90	229	214	5.4	274	6.9	9.0	23
200	508	160	406	120	305	285	7.3	366	9.3	12.0	31
250	635	200	508	150	381	357	9.1	-	-	15.0	38
300	762	240	610	180	457	429	10.9	-	-	18.0	46

Max.Zoom(Wide) :  $y=(x-1.5215) / 27.37$  x:Diagonal Size of Screen (inch)  
Min.Zoom(Tele) :  $y=(x-1.1903) / 21.413$  y:Throw Distance (m)

### Option



Lamp  
VLT-XL650LP  
VLT-XL550LP

**MITSUBISHI ELECTRIC AUSTRALIA**

348 Victoria Rd Rydalmere, NSW 2116 Phone: (02) 9684 7777 Fax: (02) 9684 7208

To find out more about XL2550U/XL1550U and our projectors, visit us at

[www.MitsubishiElectric.com.au](http://www.MitsubishiElectric.com.au)