



**MITSUBISHI
ELECTRIC**

MULTIMEDIA DATA/VIDEO PROJECTORS

Changes for the Better

**2000:1
Contrast**

The educational projector,
For bringing lessons into focus.

**2000lm
Brightness**



XD206U
MOBILE XGA PROJECTOR

The new DLP™ chip generates 2000 lumens brightness in a compact 2.9kg package

Our newly developed optical engine combines a newly designed DLP™ (Digital Light Processing) chip with a high-efficiency 205W light source lamp to provide vivid images in a small form factor design. Weighing in at just 2.9kg, the XD206U is a snap to transport, and perfect for quick setup and powerful presentations on the run.

Password Lock Function and Security Hook

By using the four-digit password lock function, users are able to prevent unauthorised access to the XD206U key functions. The security hook provides an effective anti-theft measure, allowing the user to attach a security cable to the XD206U when it's unattended.

Note: In the event of theft, Mitsubishi Electric does not assume responsibility for compensation.

Filter Free Design

Our filter-free design resists dust and dirt so there are no clogged filters to clean or change, reducing maintenance costs and projector downtime.

High contrast of 2000:1

Mitsubishi Electric's breakthrough optical engine (featuring DLP™ image display control), mounted with our newly developed all-glass high definition lens, eliminates excess light in image dark areas, to deliver an amazing 2000:1 contrast ratio for brilliant images that accentuate light-dark distinctions.



Low contrast



High contrast (2000:1)

Note: Photos are contrast impressions

Instant shutdown

Engineered for quick packup after the show. Once the projector is in standby mode, you can disconnect it without waiting for the unit to cool down. Perfect for when you're in hurry!

White Enhancement

Colour wheel whiteness adjustment up to 10 levels, for optimum picture parameters tailored to each image source. For video images, layered colour reproduction adjustment ushers in a new dimension of stunning picture performance.

Optimum high-contrast picture quality, to brighten up PC images.

197	207	207	197	207	207	197	207	207
\$35,786	\$32,569	\$38,456	\$35,786	\$32,569	\$38,456	\$35,786	\$32,569	\$38,456
10536	8823	11258	10536	8823	11258	10536	8823	11258
2920	2561	2385	2920	2561	2385	2920	2561	2385
2548	3258	4588	2548	3258	4588	2548	3258	4588
1125	2564	2669	1125	2564	2669	1125	2564	2669
\$28,695	\$29,563	\$30,215	\$28,695	\$29,563	\$30,215	\$28,695	\$29,563	\$30,215
10235	9955	10235	10235	9955	10235	10235	9955	10235
2928	2138	2135	2928	2138	2135	2928	2138	2135
2854	2385	2898	2854	2385	2898	2854	2385	2898
3265	2669	3456	3265	2669	3456	3265	2669	3456

White enhancement 1 White enhancement 5 White enhancement 10

For video images, layered colour reproduction adjustment ushers in a new dimension of stunning picture performance.



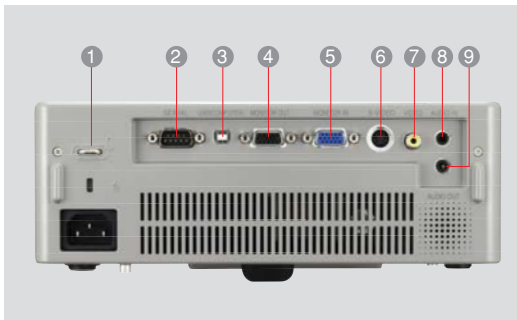
White enhancement 1 White enhancement 5 White enhancement 10



XD206U

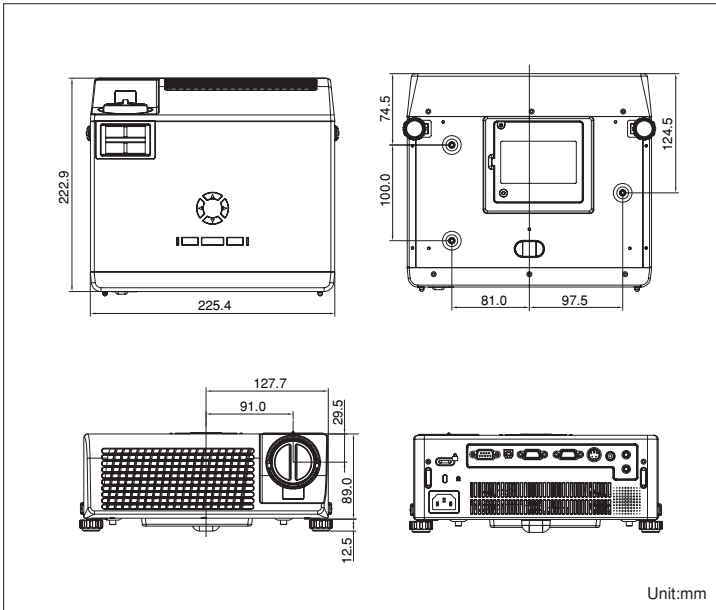
MOBILE XGA PROJECTOR

Input and Output Terminals



- 1 Security Hook
- 2 Serial RS-232C (D-sub 9pin)
- 3 USB terminal for mouse control
- 4 Monitor output
- 5 Monitor input
- 6 S-Video
- 7 Composite Video
- 8 Audio input
- 9 Audio output

Dimensions



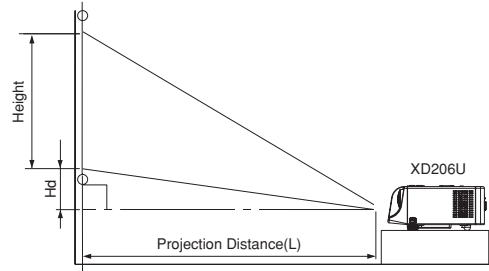
Specifications

Model	XD206U
Display Technology	0.55" 1 - Chip DMD, 12deg. DDR, DDP2000
Resolution	1024 x 768 (Total 786,432 pixels), 550 Video lines
Brightness (Maximum)	2000lm
Contrast Ratio	2000 : 1
Picture Size	40" - 300"(100"=3.5m)
Source Lamp**	205W (Shut Off Time 2000hrs) 164W (Shut Off Time 3000hrs) with Low Mode
PC Compatibility	VGA - XGA(640 x 480 - 1280 x 1024), True : 1024 x 768 Sync on Green available
Video Compatibility	NTSC / NTSC 4.43 / PAL (including PAL - M , N) / SECAM / PAL - 60 Component Video ; 480i/p (525i/p), 576i/p (625i/p), 720p (750p), 1080i (1125i 60Hz), 1080i (1125i 50Hz), [1080i (1250i 50Hz) is not available]
PC Input Terminals	RGB ; mini D-sub 15pin x 1 Audio ; Stereo mini jack (ø3.5mm) x 1
Video Input Terminals	RCA x 1 + S - VIDEO x 1
Output Terminals	RGB ; mini D - sub 15pin x 1 Audio ; Stereo mini jack (ø3.5mm) x 1
Communication Terminal	USB terminal (for Page Up / Down) x 1 + RS-232C x 1
Audio Speaker	2W Mono
Dimension (W x H x D)	223 x 88 x 256 mm
Weight	2.9kg / 6.38lbs
Power requirements	AC 100 - 240V, 50 / 60Hz
Optional Accessories	Option Lamp (VLT-XD206LP)

**Approximate figure representing average operational lifecycle.

Screen size and Projection distance

As seen from the side



Screen size chart (4:3 aspect ratio)

Diagonal size	Screen				Distance from screen (L)				Height projected image (Hd)		
	inch	cm	inch	cm	inch	m	inch	m	inch	cm	
40	102	32	81	24	61	54	1.4	63	1.6	3.5	8.8
60	152	48	122	36	91	82	2.1	95	2.4	5.2	13.3
80	203	64	163	48	122	109	2.8	127	3.2	7.0	17.7
100	254	80	203	60	152	137	3.5	160	4.1	8.7	22.1
150	381	120	305	90	229	206	5.2	240	6.1	13.0	33.1
200	508	160	406	120	305	275	7.0	320	8.1	17.4	44.2
250	635	200	508	150	381	344	8.7	400	10.2	21.7	55.2
300	762	240	610	180	457	413	10.5	-	-	26.1	66.3

The above numbers are approximate, and may be slightly different from the actual measurements.

Screen size chart (16:9 aspect ratio)

Diagonal size	Screen				Distance from screen (L)				Height projected image (Hd)		
	inch	cm	inch	cm	inch	m	inch	m	inch	cm	
40	102	34.9	89	19.6	50	59	1.5	69	1.7	7.1	17.9
60	152	52.3	133	29.4	75	89	2.3	104	2.6	10.6	26.9
80	203	69.7	177	39.2	100	119	3.0	139	3.5	14.1	35.9
100	254	87.2	221	49.0	125	149	3.8	174	4.4	17.6	44.8
150	381	130.7	332	73.5	187	225	5.7	261	6.6	26.5	67.2
200	508	174.3	443	98.1	249	300	7.6	349	8.9	35.3	89.6
250	635	217.9	553	122.6	311	375	9.5	436	11.1	44.1	112.0
300	762	261.5	664	147.1	374	451	11.4	-	-	52.9	134.5

The above numbers are approximate, and may be slightly different from the actual measurements.

MITSUBISHI ELECTRIC AUSTRALIA

348 Victoria Rd Rydalmere, NSW 2116 Phone: (02) 9684 7777 Fax: (02) 9684 7208

To find out more about XD206U and our projectors, visit us at

www.MitsubishiElectric.com.au