



65" LCD Display  
**MDT  
652S**

Resolution  
**1920x1080**  
(Full HD)

Colours  
**1.06 billion**

Brightness  
**700cd/m<sup>2</sup>**

Contrast Ratio  
**4000:1**

Viewing Angle  
**Up/Down 178°  
Left/Right 178°**

Response Time  
**8ms (Grey to Grey)**



● **Thin Stylish Aluminium Bezel**

Elegant, modern design. Premium-quality aluminium bezel with 31mm-wide frame accentuated by a black brushed metal finish and intricately grooved edges.

● **Advanced Picture Quality**

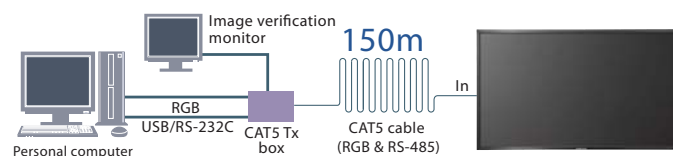
The newly incorporated LCD panel found in the MDT652S delivers an impressively high contrast of 4000:1, providing excellent reproduction of images with superior colour quality.

● **Flexible Landscape or Portrait Installation**

Innovative component technologies and installation techniques have resulted in amazing panel orientation flexibility, enabling the choice between landscape or portrait-style mounting.

● **Built-in CAT-5 Receiver**

Installation flexibility applies to location as well. The CAT-5 receiver and transmitter enable installations using up to 150 metres of cable without degradation of picture quality.



● **Automatic Brightness Control**

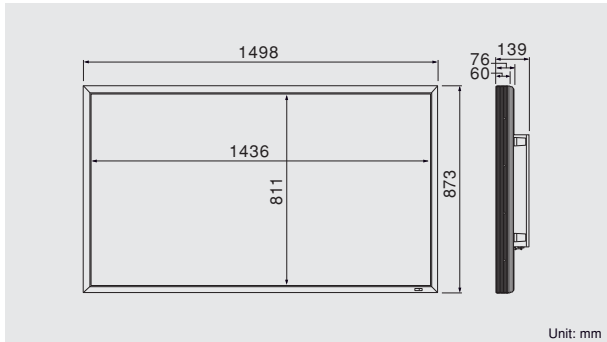
Image clarity ensured. Front and rear light sensors are installed for automatic brightness control. Lighting conditions are continuously measured and image brightness adjusted automatically for optimum viewing. Panel service life and energy savings are increased through lower power consumption in darker environments.

# 65" LCD Display

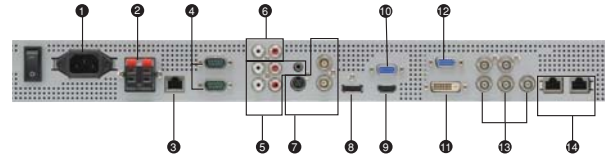
## MDT652S

65

### Dimensions



### Connector Terminals



- Power in (3-pin, with earth terminal)
- External speaker terminals
- LAN (modular connector 8-pin)
- RS-232C I/O (D-sub 9-pin)
- Audio in
- Audio out (RCA)
- Video I/O (BNC/S-terminal)
- RGB 6 in (DisplayPort)
- RGB 1 in (HDMI)
- RGB out (mini D-sub 15-pin)
- RGB 2 in (DVI-D)
- RGB 3 in (mini D-sub 15-pin)
- RGB 4 in DVD/HD in (BNC)
- CAT5 I/O connectors (modular connector 8-pin)

### Specifications

Orientation	Landscape/Portrait		
LCD module	Screen size (diagonal)	64.5" (1639mm)	
	Panel type	VA	
	Pixel pitch	0.744mm	
	Resolution	1920 x 1080 (Full HD)	
	Colour	Approx. 1.06 billion	
	Brightness (typ.)	700cd/m <sup>2</sup>	
	Contrast ratio	4000:1	
Viewing area	Viewing angle (CR ≥ 10)	Up/Down 178°, Left/Right 178°	
	Response time	8ms (Grey to Grey)	
Power management	VESA DPM		
Plug-n-Play	VESA DDC2B, DDC/CI		
Auto adjustment	Contrast, Position, Phase, Clock		
OSD user functions	Brightness, contrast, black level, auto brightness, zoom, PiP, screensaver, side border colour, Gamma selection, black level expansion, heat status, power-on delay, schedule, tiling, CAT-5 control, LAN control, closed caption, etc.		
Input/Output signal	PC Input/Output	Input connector (Analog)	Mini D-sub 15-pin, BNC (R, G, B, H, V) (PC/AV common)
		Input connector (Digital)	HDMI (PC/AV common), DVI-D (with HDCP, PC/AV common), DisplayPort
	AV Input/Output	Output connector (Analog)	Mini D-sub 15-pin
		Output connector (Digital)	Modular 8-pin×1 providing RGB differential video and RS-485 control support.
	Audio Input/Output	CAT5 input	Modular 8-pin×1 providing RGB differential video and RS-485 control support.
		CAT5 output	Modular 8-pin×1 providing RGB differential video and RS-485 control support.
	External speaker output	Horizontal frequency	15.625/15.734, 31.5-91.1kHz
		Vertical frequency	50, 58-85Hz
	Control Input/Output	Video signal	Analog RGB, Digital: RGB
		Sync signal	Analog: separate (TTL), composite (TTL), Sync-on-Green, Digital: TMDS
Resolutions supported	Resolutions supported	640 x 480, 800 x 600, 1024 x 768, 1280 x 768, 1360 x 768, 1280 x 1024, 1600 x 1200, 1920 x 1080, 1980 x 1200 (1600 x 1200, 1920 x 1200 simplified compression)	
	Input connector (Analog)	Composite video <BNC>, S-terminal, BNC(Y/Pb/Pr;PC/AV common)	
Power Supply	Output connector (Digital)	HDMI (PC/AV common), DVI-D (with HDCP, PC/AV common)	
	Resolutions supported	Analog: composite video <BNC>	
Consumption	Input connector (Analog)	Composite signal/S-terminal: NTSC, PAL, SECAM, 4.43 NTSC, PAL60	
	Output connector (Digital)	Component signal: 480i, 480p, 576i, 576p, 720p, 1080i, 1080p	
Dimensions(WxHxD)	Input connector (Analog)	RCA pin-jacks x 2 (L/R), stereo mini jack	
	Output connector	HDMI (digital audio), RCA pin jacks (L/R)	
Weight	External speaker output	Speaker terminals (L/R), 7W + 7W (8ohm)	
	Control Input/Output	Input connector: RS-232C <D-sub 9-pin>, LAN <modular 8-pin>	
Wall mounting interface	Output connector	RS-232C <D-sub 9-pin>	
	Input connector	AC100-240V, 50/60Hz	
Regulation/Guideline compliance	Output connector	458W(445W w/o speakers)	
	Consumption	Less than 5W with CAT5 input selected	
Accessories	Consumption in economy mode	Less than 1W with other input selected	
	Net	0W with power switch off	
Weight	Overall	1498 x 873 x 139mm (59.0"x34.4"x5.5")	
	Gross	1774 x 1200 x 375mm (69.8"x47.2"x14.8")	
Weight	Net	Approx. 46.5kg / 102.5lbs	
	Gross	Approx. 62.4kg / 137.6lbs	
Wall mounting interface	8 holes, M8 screws (200mm (7.9") pitch) for monitor, 4 holes x 2 sets, M4 screws (100mm (4.0") pitch) for SBC, Signage player mounted on monitor		
Regulation/Guideline compliance	UL60950-1/C-UL/CE Marking/BSMI/GOST-R/FCC-B /DOC-B/C-Tick/RoHS/US Mercury/CCC only for Chinese model		
Accessories	Power cord, signal cable (mini D-sub 15-pin to mini D-sub 15-pin cable), User's Manual, remote control, batteries, clamps (for power cord and HDMI cable), CAT5 transmitter box, CD-ROM, etc.		

The display size stated in flyer copy is rounded off to a whole number. The actual size is listed in the Specifications chart.

## MITSUBISHI ELECTRIC AUSTRALIA PTY LTD

348 Victoria Rd Rydalmere, NSW 2116 Phone: (02) 9684 7777 Fax: (02) 9684 7208

[www.MitsubishiElectric.com.au](http://www.MitsubishiElectric.com.au)

- All information contained herein may be changed without prior notice.
- HDMI, ~~HDMI~~ and High-Definition Multimedia Interface are trademarks or registered trademarks of HDMI Licensing, LLC in the United States and other countries.
- Other brand, product, and service names are trademarks or registered trademarks of the respective companies.
- Products in this flyer do not imply that Mitsubishi Electric Corporation intends to have them available in all countries where Mitsubishi Electric Corporation and its subsidiaries operate.
- Photographs are simulated images.

Revised publication, effective Jul. 2011.  
Specifications are subject to change without notice.