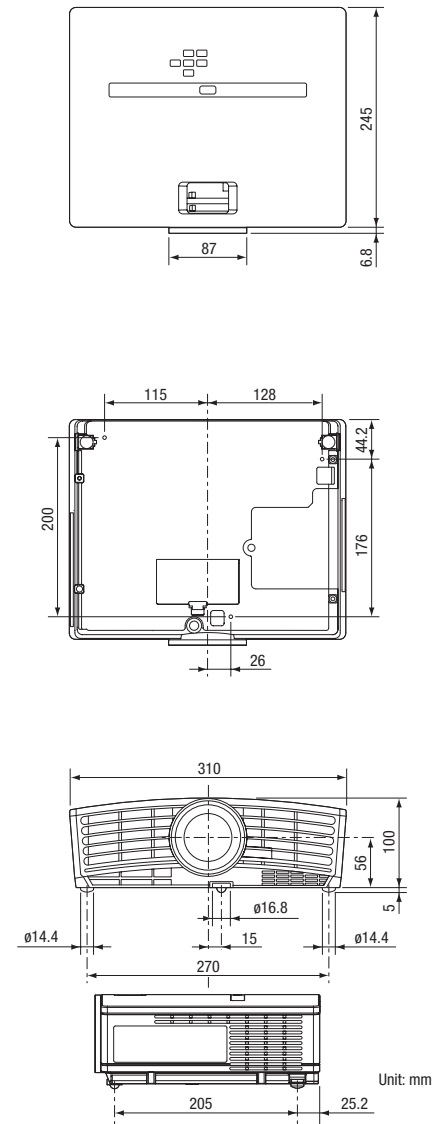


Specifications

MODEL	HC3000	
Display Technology	DDP3020 DLP(R)TrueVision™ Integrated Circuit with Dark Chip 2 featuring BrilliantColor™ Technology	
Resolution	1280 x 768 (Total 983,040 pixels), HD720p	
Brightness (Maximum)	1000 ANSI Lumens	
Contrast Ratio	4000:1	
Zoom/Focus	Manual Focus & Zoom Lens	
Projection Lens	F= 2.4-2.6 with Optical Iris 100" @141.7" (Diagonal)	
Throw Ratio	1.59 - 1.97	
Offset Axis	3 : -1 up (No variable lens shift) ±38 degrees digital lens shift	
Picture Size	40-275 inch	
Source Lamp*	200W (Shut Off Time 2000hrs) with Low Mode (160W: Shut Off Time 3000hrs)	
PC Compatibility	Resolution: 640 x 480 – 1024 x 576 (Compressed 1280 x 1024) (Sync on Green available)	
Video Compatibility	NTSC/NTSC 4.43/PAL (including PAL-M, N /SECAM/ PAL-60), Component Video; 480i/p 576i/p, 720p, 1080i (1125i 60Hz), 1080i (1125i 50Hz)	
Input Terminals	RGB: Mini D-sub 15pin x 1 HDMI x 1 Video: RCA x 1, S-VIDEO x 1, RCA (Y, CB, CR) x 1	
Output Terminal	12V Trigger Out; Stereo mini jack (3.5mm) x 1	
Communication Terminal	RS-232C (8 pin) x 1 (Direct command is available), USB (Service use only)	
Scanning Rate	[H] 15 - 80 kHz, [V] 50 - 85 Hz, [Dot Clock] max 110 MHz	
Audio Speaker	N/A	
Height Adjuster	Two Push Rear leg (-1 to 7 degree variable)	
Hand Remote Unit	Projector Control, Back light key, Direct functions with AV memory	
Power Consumption	280W / 2.9 A	
Dimension (W x D x H)	310mm x 245mm x 100mm (excludes height adjuster)	
Weight	2.9kg/6.4lbs	
Power Requirements	AC 100-240V / ±10%, 50/60 Hz	
Fan Noise	25dBA (Low mode)	
Supplied Accessories	<ul style="list-style-type: none"> AC Power Cable RGB Cable RS-232C Cable Remote Unit (incl. battery) 	<ul style="list-style-type: none"> Light Shade Cover Quick Start Card User Manual Safety Manual
Optional Accessories	Replacement Lamp Bulb (VLT-HC910LP)	
Warranty	2 Years Parts and Labour	

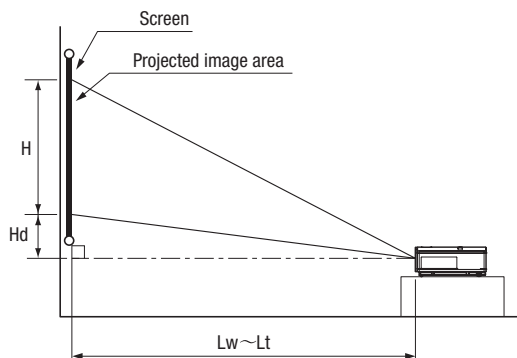
* Approximate figure representing average operational lifecycle.

Dimensions



Projection distance

Floor mounted



Screen size chart (16:9 aspect ratio)

Screen Size			Projection Distance		Distance from lens axis (Hd)
Diagonal (type destination)	Width	Height	Without Magnification	With Magnification	
inch	cm	cm	m	m	cm
40	89	50	1.4	1.7	17
60	133	75	2.2	2.6	25
70	155	87	2.5	3.1	29
80	177	100	2.9	3.5	33
90	199	112	3.3	4.0	38
100	221	125	3.6	4.4	42
110	244	137	4.0	4.9	46
120	266	149	4.4	5.3	50
150	332	187	5.5	6.6	63
275	609	342	10.1	-	115

The above numbers are approximate, and may be slightly different from the actual measurements.

MITSUBISHI ELECTRIC AUSTRALIA
348 Victoria Rd Rydalmere, NSW 2116 Phone: (02) 9684 7777 Fax: (02) 9684 7208

To find out more about our projectors, visit us at

www.MitsubishiElectric.com.au

HC3000

Home Theatre Projector

Contrast: 4000:1

Brightness: 1000lm

Long Life Lamp: 3000hrs



The first DLP Home Theatre projector to feature BrilliantColor™ technology, providing more vivid colours for that true cinematic experience.



The award winning HIGH DEFINITION HC3000 DLP™ Home Theatre projector from Mitsubishi Electric represents a breakthrough in HD home cinema products. This is the first home theatre projector ever to feature the state-of-the-art DDP3020 chip incorporating BrilliantColor™ technology.

Running in native High Definition resolution (720p), the HC3000 includes features like an amazing 4000:1 contrast ratio, a quiet 25dBA running volume and a filter free design.

FEATURES:

- **BrilliantColor™ technology**

At the heart of the HC3000 is Texas Instruments' state-of-the-art DDP3020 chip featuring BrilliantColor™. By boosting the midtone colour levels, this cutting-edge technology enables higher brightness as well as truer, more vibrant colours for brilliant, true-to-life images.



- **High Contrast Ratio of 4000:1**

With a high 4000:1 contrast ratio, a night sky appears inky black with stars a brilliant white. A combination of the newly developed DDP3020 panel driver with an all-glass lens and a remote-controlled, internal motor-driven iris makes these amazing images possible.

Illuminated remote control unit



- **10-bit I/P Conversion**

Annoying screen jaggies are eliminated and overall noise is reduced for a smoother picture, thanks to the 10-bit processing circuitry included in the HC3000.

- **720p Native Resolution**

Computer signals can be displayed full frame without cropping, while all 16:9 widescreen video can also be displayed full frame.

- **Filter Free Design**

Since projector filters need regular cleaning to remove dust and other material, we decided to design our DLP projectors to run filter free. Combined with the long-life lamps, this ensures that minimal ongoing maintenance is required.

- **Ultra Quiet Operation**

At only 25dBA, the whisper-quiet fan means you'll never be distracted from your cinematic experience.

- **High Definition HDMI Support**

Includes high definition signal support with DVD players and other digital equipment.

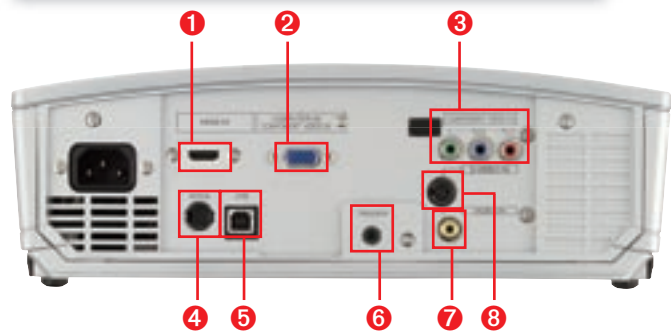
- **Trigger Terminal**

Connects to a motor driven projector, enabling you to raise or lower the touch screen at a touch of a button.

LONG LIFE LAMP!

Up to **3000** hours life-span means fewer lamp changes and more movies!

Input/Output Terminals



- | | |
|------------------------------------|---------------------------|
| ① HDMI Input | ⑤ USB Input |
| ② Computer / Component Video Input | ⑥ Trigger Terminal Output |
| ③ Component Input | ⑦ Composite Video Input |
| ④ Serial Input | ⑧ S-Video Input |