



EX100U

XGA Mobile Projector

Contrast: 2000:1

Brightness: 2000lm

Long Life Lamp: 3000h



ES100U

SVGA Mobile Projector

Contrast: 2000:1

Brightness: 2000lm

Long Life Lamp: 5000h



Superior functionality and image quality projectors designed specifically for the business or education environment.





Whether you're presenting in the boardroom, or teaching in the classroom, you want to grab your audiences attention with the best image quality you can.

In order to do this, you need a projector with superior functionality and performance.

Introducing the EX100U and ES100U - the latest DLP projectors from Mitsubishi Electric.

The EX100U outputs XGA resolution at 2000 ANSI lumens, with a lamp life of up to 3000 hours and offering a high 2000:1 contrast ratio makes it ideal for video imaging.

The ES100U offers 2000 ANSI lumens, SVGA resolution, a high 2000:1 contrast ratio and up to a staggering 5000 hours lamp life.

Ideal for users wanting exceptional performance in business, education, and in the home, the ES100U and EX100U are the perfect choices for a quality projector.

FEATURES:

- **Video Line Doubler**

This feature realizes improved cross colouring and eliminates the "jaggies" for clearer still images with crisp contours.

Along with the reproduction of beautiful, natural looking moving images, a significant gain in video picture quality has been achieved, making it possible to recreate images with a cinema-like presence.



Without Video Line Doubler



With Video Line Doubler

- **Component Video compatibility via the VGA® input**

With the optional converter cable, you can connect your Digital Set Top box or DVD player to the projector via the VGA® input and enjoy the picture quality that component video brings. Ideal for home theatre!

- **Digital Keystone Correction**

- **Password Lock**

With the password lock feature, you can block unauthorised access to the EX100U and ES100U's menu and settings via a 4-digit code.

- **Filter Free Design**

The filter free design of these DLP projectors, combined with the long-life lamps, ensure that minimal ongoing maintenance is required.

- **Multiple Input Capability**

Connect up to four different devices at the one time, saving the need for constant cable swapping.

- **sRGB compliant**

These models comply with the Microsoft® sRGB standard for accurate colour reproduction. You can be sure that the colours you see on your desktop monitor will be faithfully matched by your projector.

- **Only 2.9 kgs**

Making either model ideal for mobile applications, particularly useful for salesmen on the move.

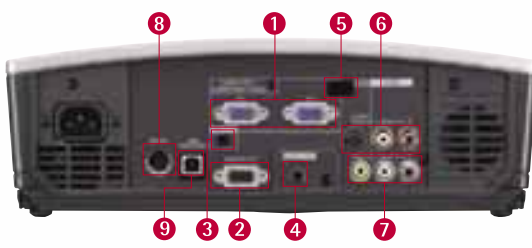
- **Ultra Quiet operation**

The whisper-quiet fan means you'll never be distracted.



LONG LIFE LAMP!
Between **3000 & 5000** hours life-span means greater economical savings through less lamp changes and more presentations!

- **Input/Output terminals**



- 1 RGB In × 2
- 2 RGB Out × 1
- 3 Audio In
- 4 Audio Out
- 5 Remote IR
- 6 S-Video
- 7 Composite Video
- 8 RS-232C
- 9 USB

Specifications

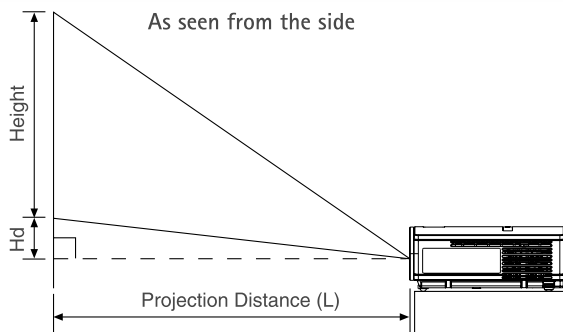
Model	ES100U	EX100U
Display technology	0.55"1-chip DMD,12deg.DDR, DDP2000	0.7"1-chip DMD, 12deg.DDR, DDP2000
Resolution	800 × 600 (total 480,000 pixels), 600 video lines	1024 × 768 (total 786,432 pixels), 600 video lines
Brightness (Maximum)	2000lm	2000lm
Contrast	2000 : 1	2000 : 1
Picture size	40" ~ 300" (100" = 3.3m)	40" ~ 300" (100" = 3.3m)
Source lamp **	200W (Shut Off Time 5000Hrs) with Low Mode 250W (Shut Off Time 2000Hrs)	160W (Shut Off Time 3000Hrs) with Low Mode 200W (Shut Off Time 2000Hrs)
Computer compatibility	VGA® ~ XGA® (640 × 480 ~ 1024 × 768), True: 800 × 600, Sync on green available	VGA® ~ SXGA® (640 × 480 ~ 1280 × 1024), True: 1024 × 768, Sync on green available
Video compatibility	NTSC / NTSC 4.43 / PAL (including PAL-M, N) / SECAM / PAL-60 Component Video; 480i/p(525i/p), 576i/p(625i/p), 720p(750p), 1080i(1125i 60Hz),1080i(1125i 50Hz), [1080i(1250i 50Hz) is not available]	NTSC / NTSC 4.43 / PAL (including PAL-M, N) / SECAM / PAL-60 Component Video; 480i/p(525i/p), 576i/p(625i/p), 720p(750p), 1080i(1125i 60Hz),1080i(1125i 50Hz), 1080i(1250i 50Hz) is not available]
PC input terminals	RGB: mini D-sub 15pin × 2 Audio: Stereo mini jack (ø 3.5 mm) × 1	RGB: mini D-sub 15pin × 2 Audio: Stereo mini jack (ø 3.5 mm) × 1
Video input terminals	Video: RCA × 1 + S - video × 1, Audio: RCA (L,R) × 2	Video: RCA × 1 + S - video × 1, Audio: RCA (L,R) × 2
Output terminals	RGB: mini D-sub 15pin × 1, Audio: Stereo mini jack (ø 3.5 mm) × 1	RGB: mini D-sub 15pin × 1, Audio: Stereo mini jack (ø 3.5 mm) × 1
Communication terminals	RS - 232C (8pin) × 1 (Direct command is available), USB terminal for Page Up / Down	RS - 232C (8pin) × 1 (Direct command is available), USB terminal for Page Up / Down
Audio speaker	2W mono	2W mono
Fan noise	32dBA (Lamp Low Mode)	29dBA (Lamp Low Mode)
Dimension (W × H × D)	310 × 100 × 245 mm (excluding height adjustment)	310 × 100 × 245 mm (excluding height adjustment)
Weight	2.9kg / 6.5lbs	2.9kg / 6.5lbs
Power supply	AC100 - 240V / ±10%, 50 / 60Hz	AC100 - 240V / ±10%, 50 / 60Hz
Optional lamp	VLT-XD400LP	VLT-EX100LP

Windows is a registered trademark of Microsoft Corporation. Macintosh is a registered trademark of Apple Computer Inc. SXGA, XGA and SVGA are registered trademarks of IBM Corporation.

All brand names and product names are trademarks, registered trademarks or trade names of their respective holders. DLP (Digital Light Processing) is a trademark of Texas Instruments.

** Approximate figure representing average operational life cycle.

Projection distance



Screen size

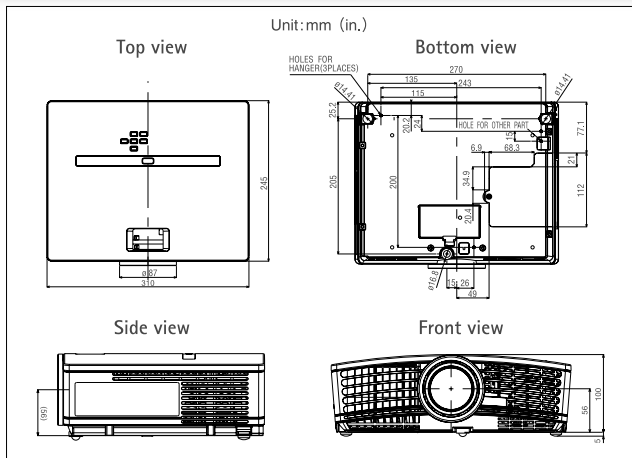
EX100U

Screen size chart (4:3 aspect ratio)

Screen		Distance from screen (L)				Height projected image (Hd)					
Diagonal size	Width (W)	Height (H)	Maximum Zoom	Minimum Zoom							
inch	cm	inch	cm	inch	m	inch	cm				
40	102	32	81	24	61	51	1.3	62	1.6	2.8	7.2
60	152	48	122	36	91	77	2.0	94	2.4	4.3	10.9
80	203	64	163	48	122	103	2.6	125	3.2	5.7	14.5
100	254	80	203	60	152	130	3.3	157	4.0	7.1	18.1
150	381	120	305	90	229	196	5.0	237	6.0	10.7	27.1
200	508	160	406	120	305	262	6.6	316	8.0	14.2	36.2
250	635	200	508	150	381	327	8.3	—	—	17.8	45.2
300	762	240	610	180	457	393	10.0	—	—	21.4	54.3

The above numbers are approximate and may be slightly different from the actual measurements

Dimensions



ES100U

Screen size chart (4:3 aspect ratio)

Screen		Distance from screen (L)				Height projected image (Hd)					
Diagonal size	Width (W)	Height (H)	Maximum Zoom	Minimum Zoom							
inch	cm	inch	cm	inch	m	inch	cm				
40	102	32	81	24	61	54	1.4	65	1.7	7.0	17.8
60	152	48	122	36	91	81	2.1	99	2.5	10.5	26.7
80	203	64	163	48	122	109	2.8	132	3.4	14.0	35.6
100	254	80	203	60	152	137	3.5	165	4.2	17.5	44.5
150	381	120	305	90	229	206	5.2	249	6.3	26.3	66.7
200	508	160	406	120	305	275	7.0	332	8.4	35.0	89.0
250	635	200	508	150	381	345	8.8	—	—	43.8	111.0
300	762	240	610	180	457	414	10.5	—	—	52.5	133.0

The above numbers are approximate, and may be slightly different from the actual measurements.

MITSUBISHI ELECTRIC AUSTRALIA

348 Victoria Rd Rydalmere, NSW 2116 Phone: (02) 9684 7777 Fax: (02) 9684 7208

To find out more about our projectors, visit us at

www.MitsubishiElectric.com.au