

MITSUBISHI ELECTRIC Air-Conditioners

Mr. SLIM

PEA-RP·EA

FOR INSTALLER

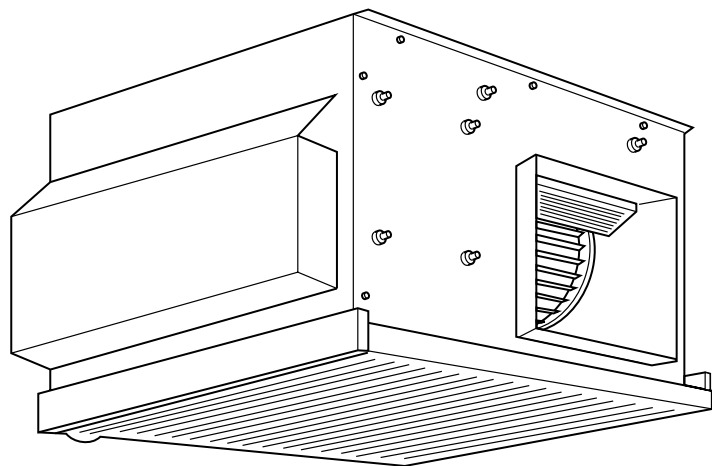


ILLUSTRATION BOOK FOR INSTALLATION

This is an illustration book for installation. Install the air conditioner referring to this book and INSTALLATION MANUAL.



**MITSUBISHI
ELECTRIC**

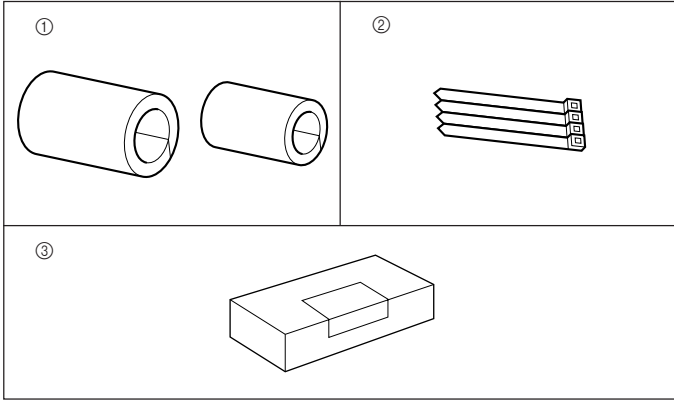


Fig. 3-1

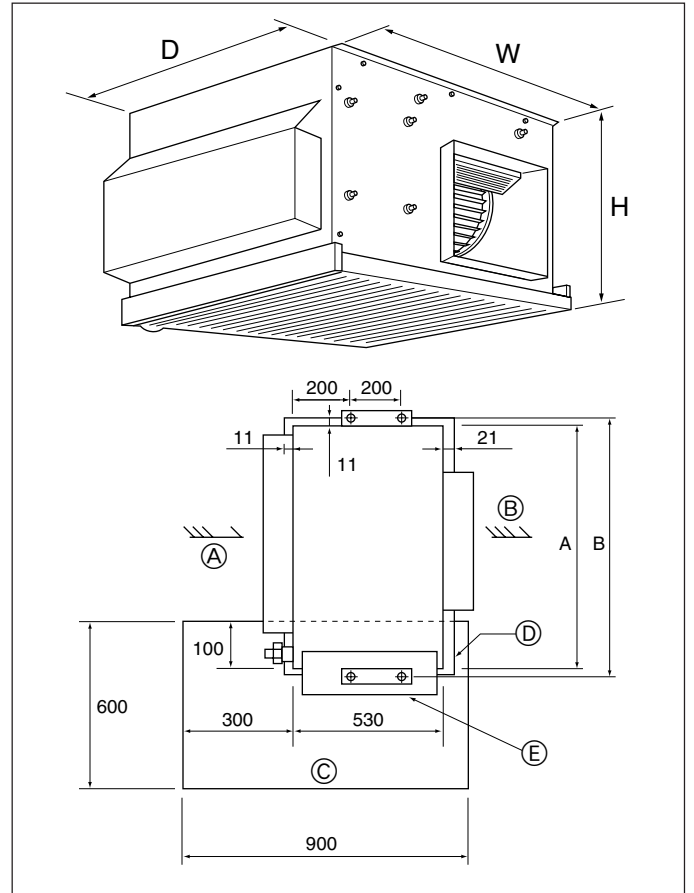


Fig. 3-2

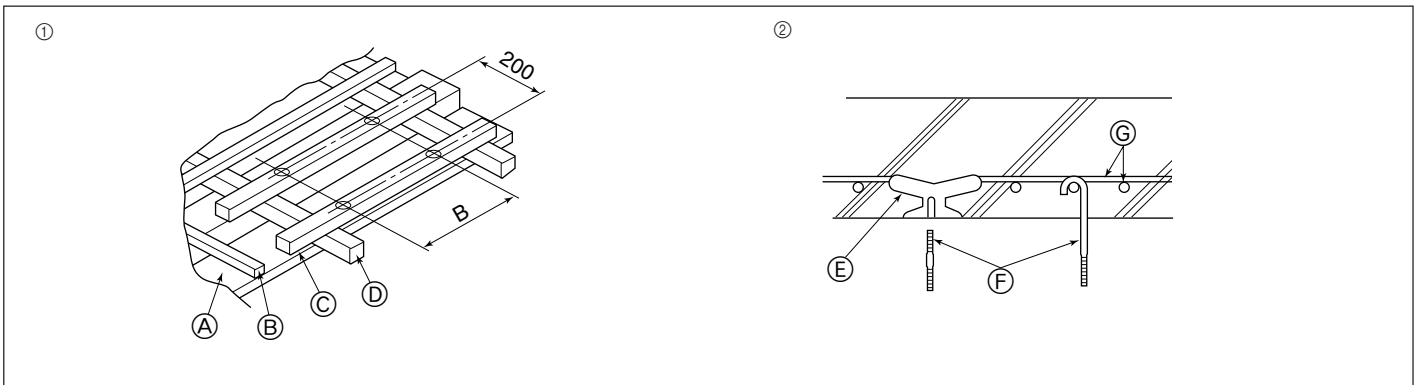


Fig. 3-3

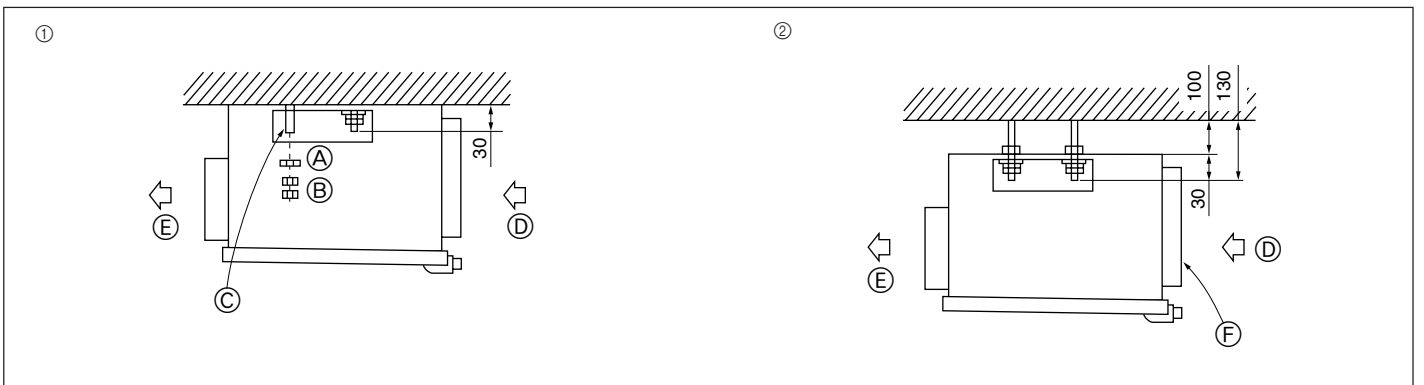


Fig. 3-4

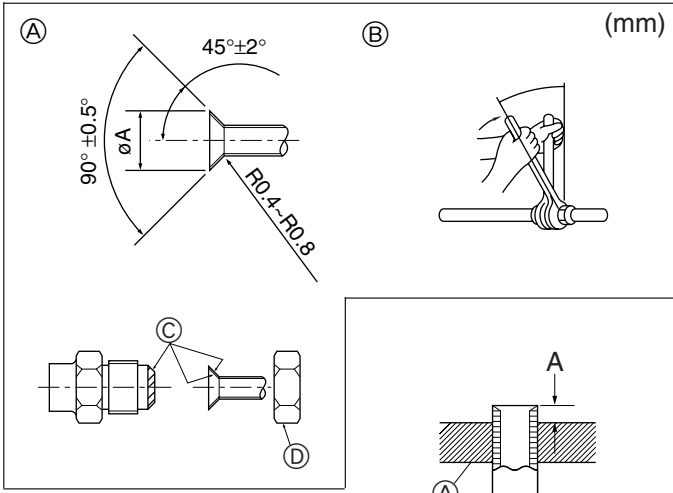


Fig. 4-1

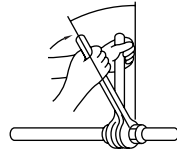


Fig. 4-2

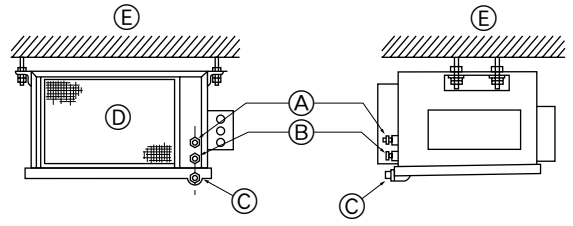


Fig. 4-3

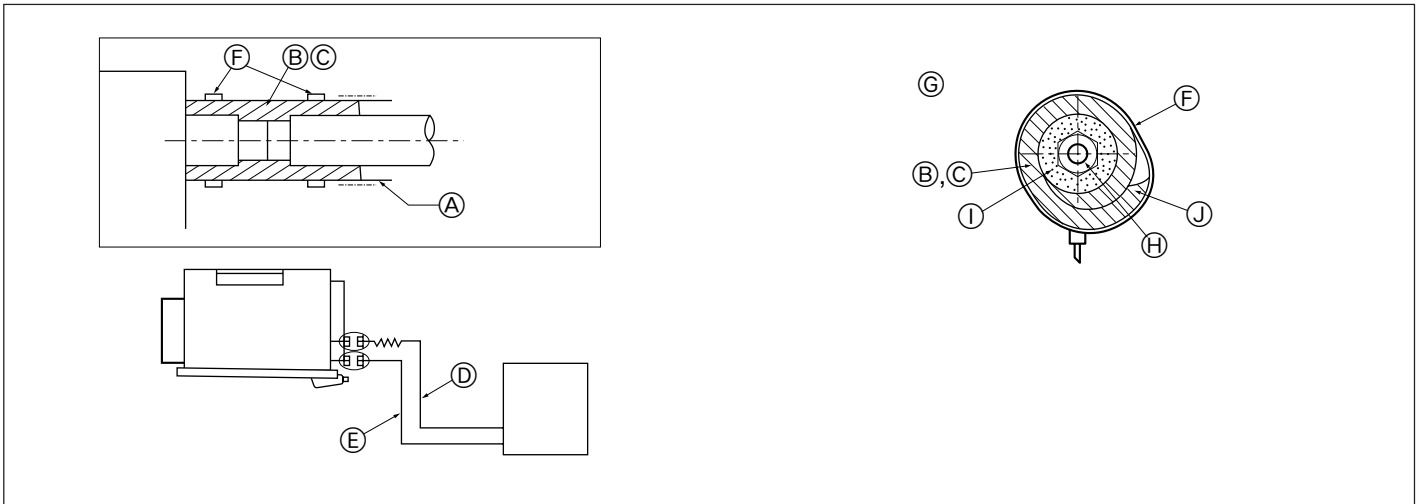
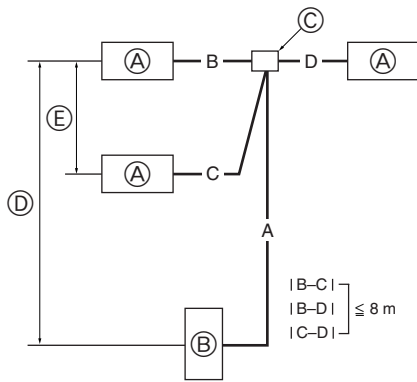


Fig. 4-4



RP3 : $A+B+C \le 50$
 RP4-6 : $A+B+C(+D) \le 75\text{ m}$

Fig. 4-5

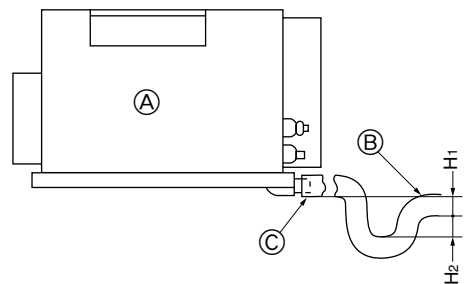


Fig. 5-1

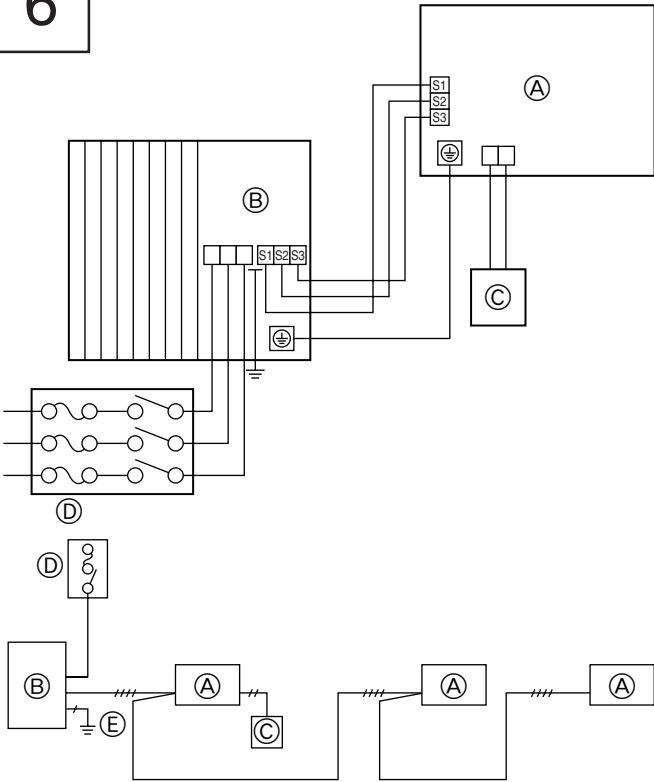


Fig. 6-1

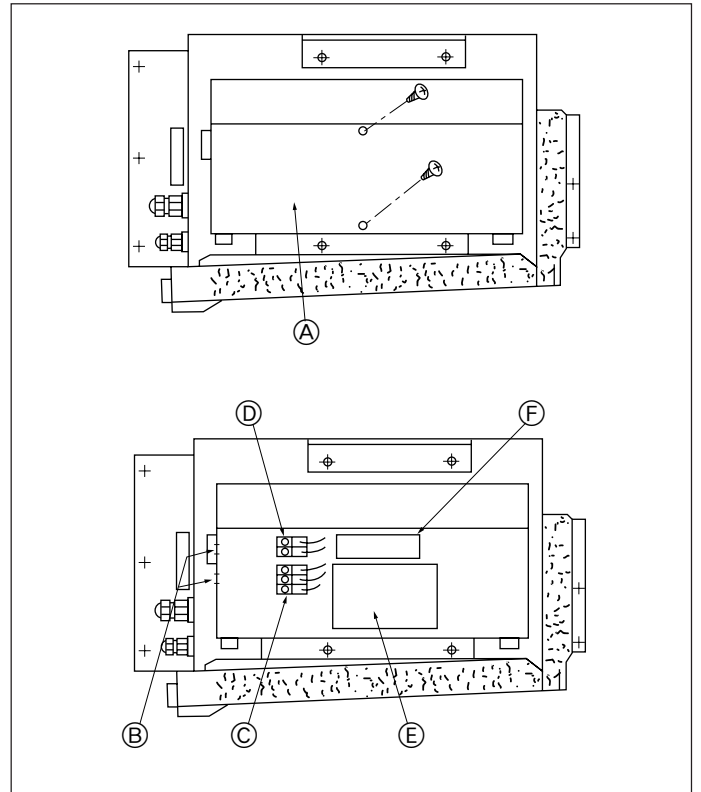


Fig. 6-2

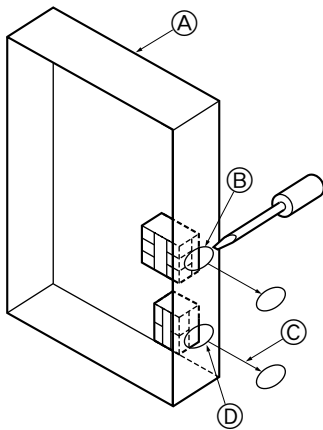


Fig. 6-3

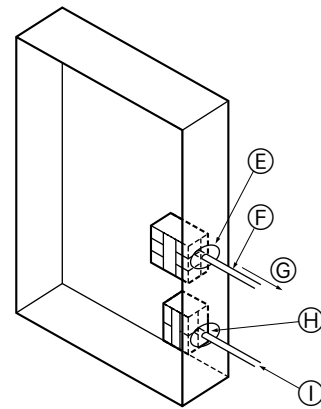


Fig. 6-4

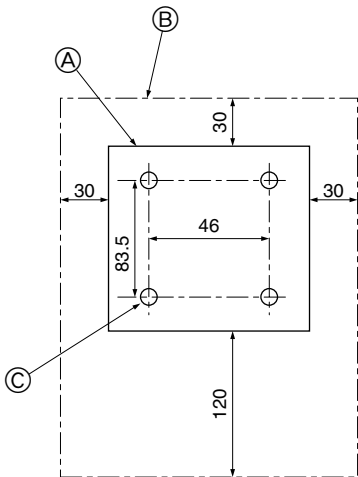


Fig. 6-5

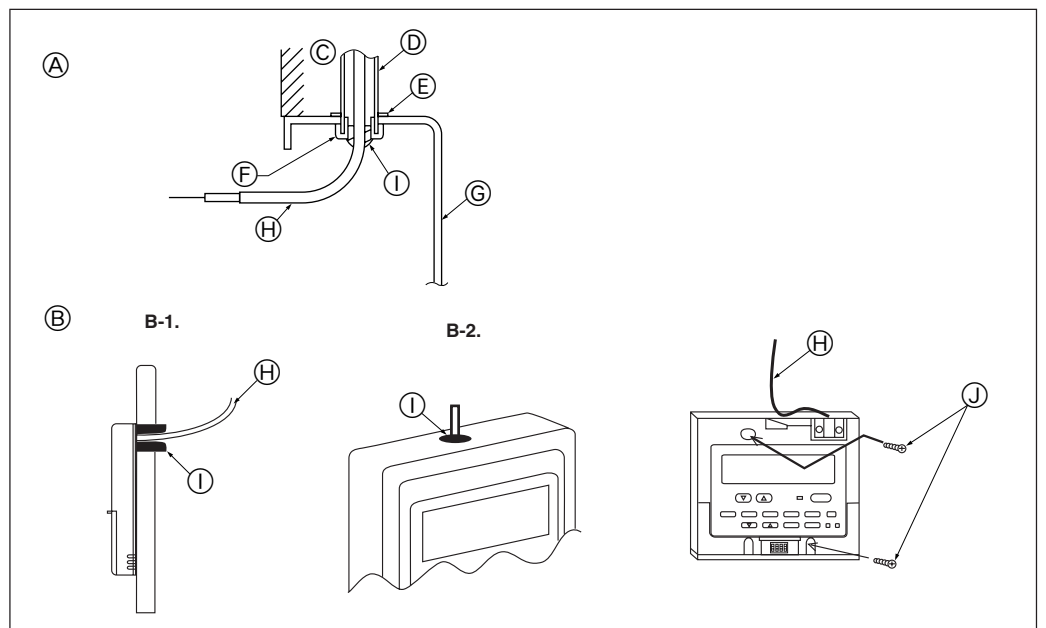


Fig. 6-6

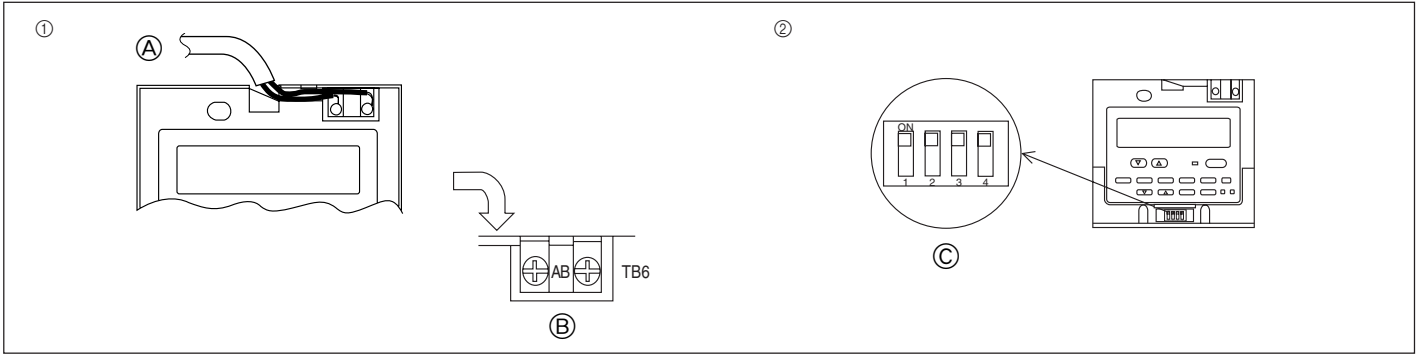


Fig. 6-7

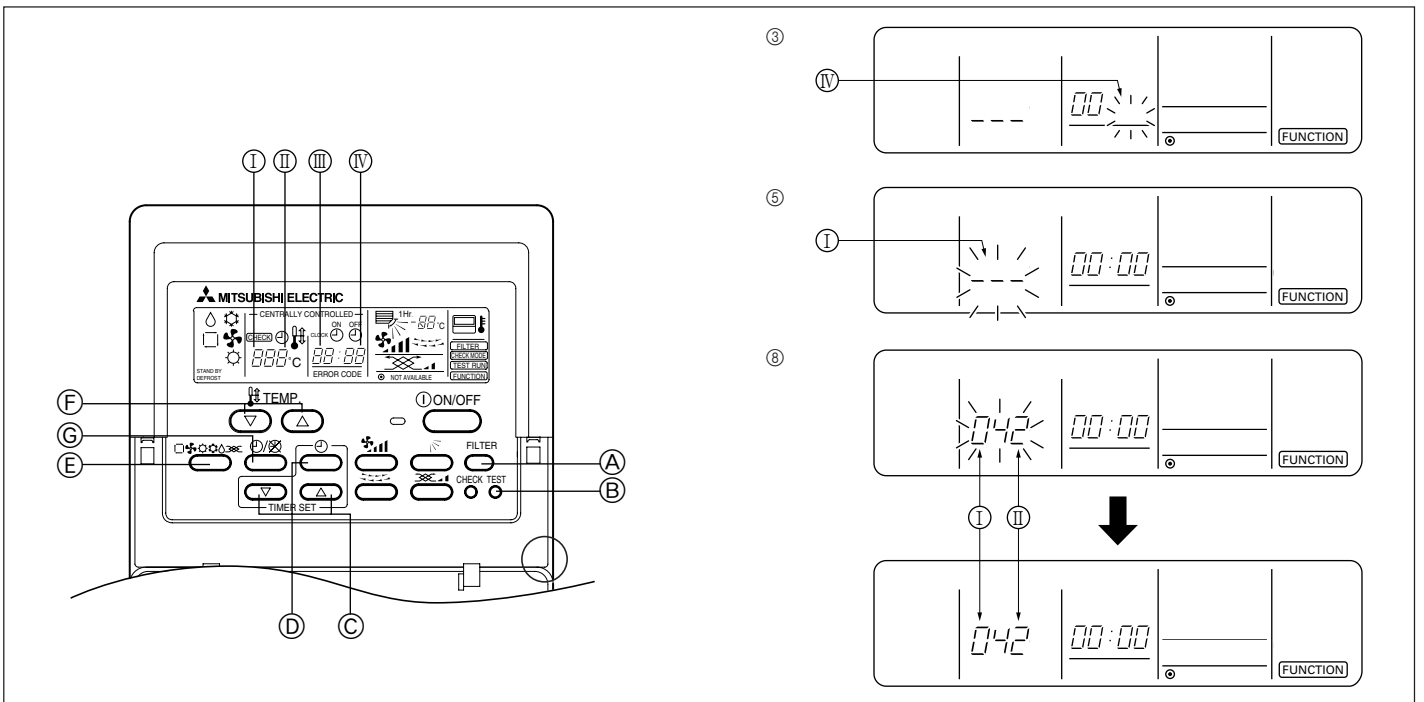


Fig. 6-8

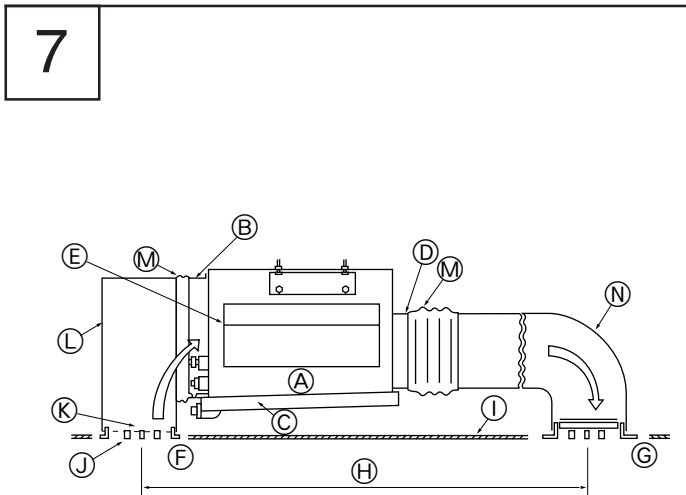


Fig. 7-1

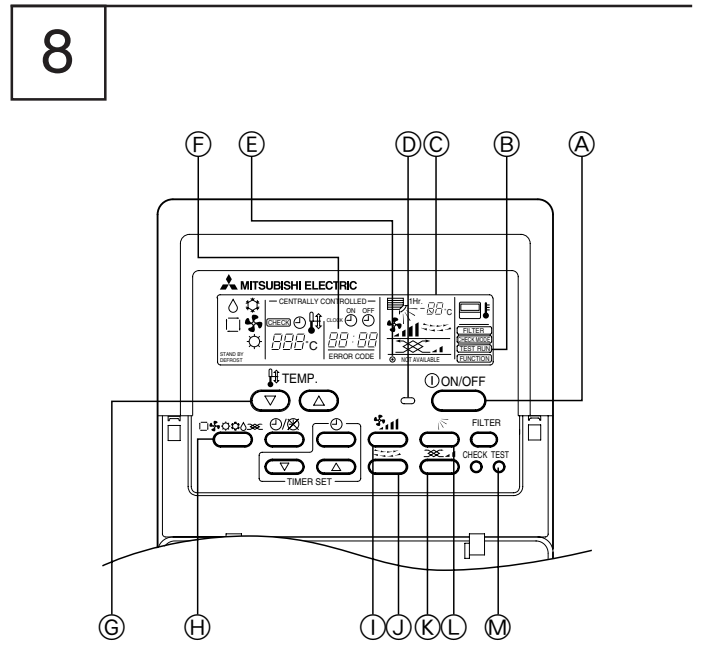


Fig. 8-1

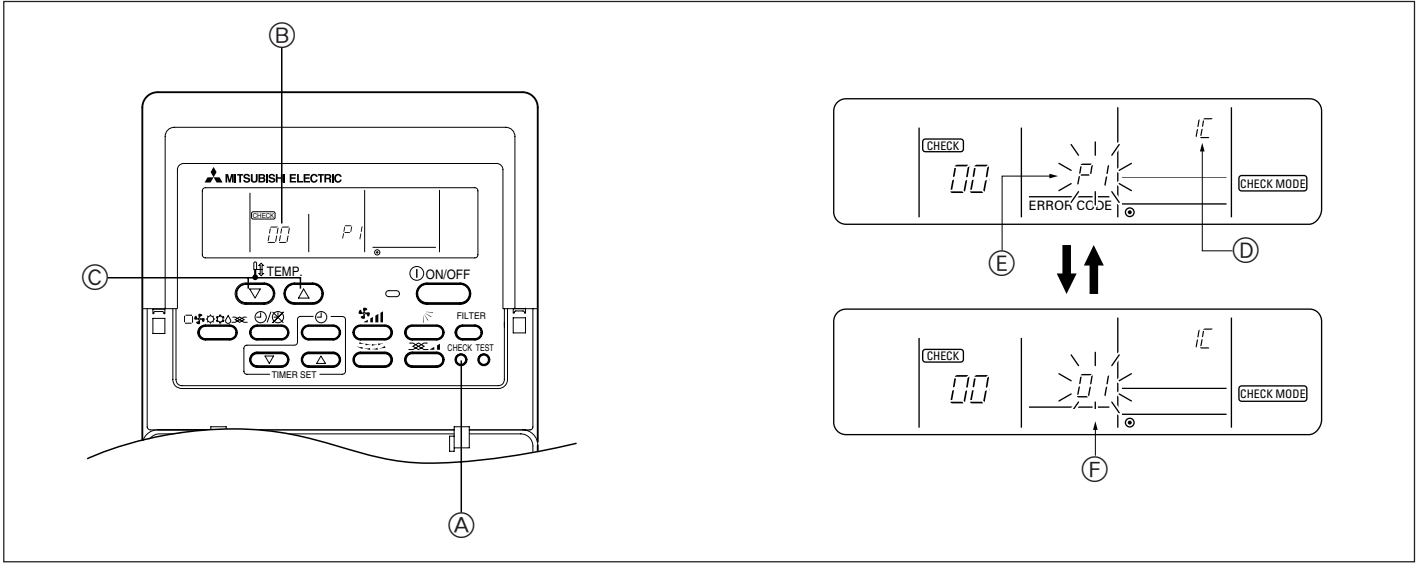


Fig. 8-2

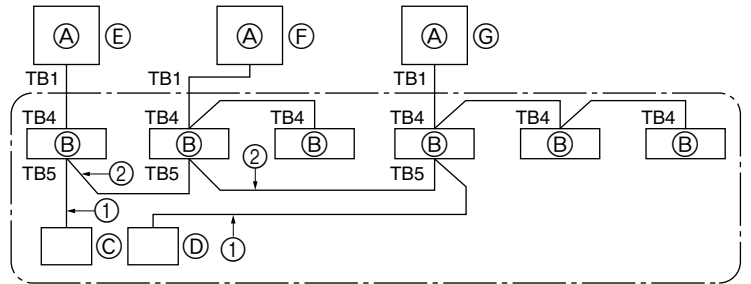
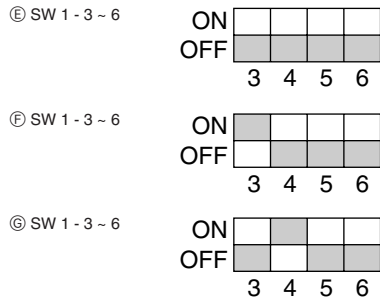


Fig. 9-1

