



# MITSUBISHI ELECTRIC

## MULTIMEDIA DATA/VIDEO PROJECTORS

*Changes for the Better*



Experience brilliant colour and exceptional brightness in a portable projector, with no strings attached.

### WIRELESS DVI



Mobile XGA

## XD530E

### Functional Performance at its Best

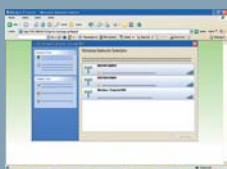
- ▶ Bright 3000 ANSI lumens
- ▶ 2000:1 rich contrast ratio
- ▶ Centre lens design for easy symmetrical installation
- ▶ Splash screen and wall colour support
- ▶ Time-saving instant shut down feature
- ▶ DVI Connectivity



Splash screen

You can project native digital signals in all their full high-definition glory via the XD530E DVI input source.

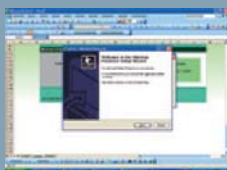
- ▶ Simple Wireless
- It's not necessary to insert a CD-ROM on your system, since all the necessary installation files can be downloaded from the projector itself.\*



Operation screen:1  
Confirm the wireless connection.



Operation screen:2  
Open the internet browser.



Operation screen:3  
Download and install the software.



Operation screen:4  
Input the login code and start showing the image wirelessly.

In just four simple steps you can access your projector wirelessly, making installation a snap.

\* A wireless LAN connection between the projector and personal computer is necessary.

### BrilliantColor™ Technology and Mitsubishi Electric's Engineering Yields Superior Colour Performance

BrilliantColor™ Technology is the latest innovation for richer colours and better images that display vibrantly. At Mitsubishi, we've developed a 6-segment colour wheel. As well as the regular red, green, blue and white segments, we've added yellow and cyan (RGBWYC) to display a wider colour spectrum. In addition, we've also coded our colour algorithms to offer emphasis on brightness or colour modes, all designed to cater to the environment where the XD530E is being used.

Combined with selective lamp powered modulation techniques, the XD530E with BrilliantColor™ Technology acts intelligently to boost colours that are prone to being darker or less saturated, improving the intensity and vibrancy of the entire displayed image. For instance, where there is a need to project vivid images in an already bright screen image, the lamp is programmed to provide brighter colours where it is necessary to make the displayed image more vibrant. In contrast, when the objective of the display is to deliver an image with emphasis on genuine colour reproduction, the algorithm will deliver just the right colours with the appropriate radiance for maximum visual impact.

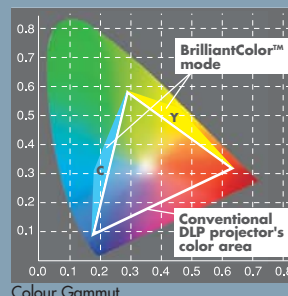
\*BrilliantColor is a trademark of Texas Instruments.

### Easy Maintenance & Enriched Security Features

- ▶ Top-access lamp cover for easy lamp replacement
- ▶ Filter-free design
- ▶ Enhanced security features with reinforced anchor bars and password protection



Top Access Lamp Cover



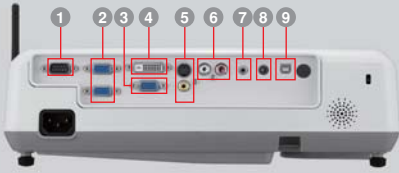


Mobile XGA  
**XD530E**

NEW



### Input and Output Terminals



- 1 Serial RS-232C
- 2 PC / Component Video input (mini D-sub 15pin)
- 3 PC / Component Video output
- 4 DVI-D (with HDCP) 5 S-Video / RCA
- 6 Audio input [RCA jack (L/R)]
- 7 Audio input (stereo mini jack) 8 Audio output
- 9 USB terminal for Page Up/Down

### Wireless Antenna and RJ45 Terminal



Wireless antenna and RJ45 terminal incorporated into the side of the projector.  
\*RJ45 terminal is not for control, but used only for sending images from computer.

### Specifications

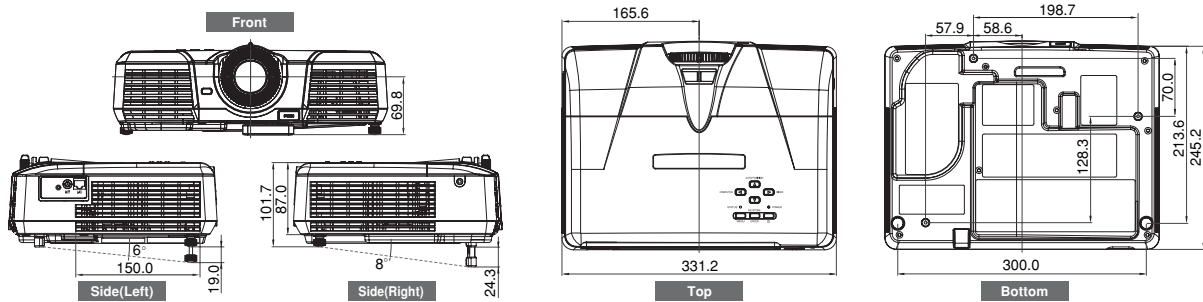
Model	XD530E
Display technology	0.55"1-Chip DMD
Resolution	1024 x 768 (total 786,432 pixels)
Brightness (Max.)	3000lm
Contrast	2000:1
Picture Size	40"~ 300"
Source lamp**	230W (Shut Off Time 3000Hrs) with Low Mode, 280W (Shut Off Time 2000Hrs) with Standard Mode
Computer compatibility	640 x 480 ~ 1280 x 1024, True: 1024 x 768, include WXGA, Sync on green available
Input signal system	Video
	PC
Input terminals	NTSC / NTSC4.43 / PAL (including PAL-M, N) / SECAM / PAL-60 Component Video : 480i/p (525i/p), 576i/p (625i/p), 720p (750p), 1080i (1125i 60Hz), 1080i (1125i 50Hz) Windows 2000 / XP / Vista*
Output terminals	RGB : mini D-sub15pin x 2, DVI-D (with HDCP) x 1, Video : RCA x 1 + S-video x 1 Audio : stereo mini jack (φ3.5mm) x 1, RCA jack (L/R) x 1
Communication terminals	RS-232C (D-sub 9pin) x 1, USB terminal for Page Up/Down x 1
Audio speaker	2W mono
Dimensions(WxHxD)	332 x 102 x 250 mm / 13.1 x 4.0 x 9.8 inch (excluding height adjustment)
Weight	3.4kg / 7.5lbs
Power supply	AC100-240V, 50/60Hz
Optional lamp	VLT-XD520LP

\*Operation not guaranteed on Vista.

\*\*All brand names and product names are trademarks, registered trademarks or trade names of their respective holders.

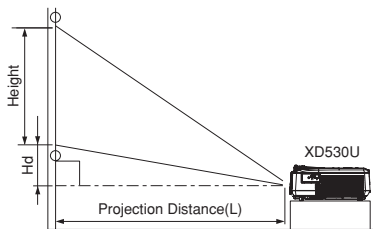
\*\* Approximate figure based on average operational life cycle.

### Dimensions



### Screen size and Projection distance

As seen from the side



### Screen size chart

Screen (4:3 aspect ratio)						Distance from screen (L)				Height projected image (Hd)	
Diagonal size	Width (W)	Height (H)		Shortest		Longest		Shortest		Longest	
inch	cm	inch	cm	inch	cm	inch	m	inch	m	inch	cm
40	102	32	81	24	61	51	1.3	62	1.6	1.8	5
60	152	48	122	36	91	77	2.0	94	2.4	2.7	7
80	203	64	163	48	122	103	2.6	125	3.2	3.6	9
100	254	80	203	60	152	129	3.3	157	4.0	4.5	11
150	381	120	305	90	229	195	4.9	236	6.0	6.8	17
200	508	160	406	120	305	260	6.6	315	8.0	9.0	23
250	635	200	508	150	381	326	8.3	394	10.0	11.3	29
300	762	240	610	180	457	391	9.9	-	-	13.5	34

Screen (16:9 aspect ratio)						Distance from screen (L)				Height projected image (Hd)	
Diagonal size	Width (W)	Height (H)		Shortest		Longest		Shortest		Longest	
inch	cm	inch	cm	inch	cm	inch	m	inch	m	inch	cm
40	102	35	89	20	50	56	1.4	68	1.7	5.2	13
60	152	52	133	29	75	84	2.1	102	2.6	7.9	20
80	203	70	177	39	100	113	2.9	137	3.5	10.5	27
100	254	87	221	49	125	141	3.6	171	4.4	13.1	33
150	381	131	332	74	187	213	5.4	258	6.5	19.6	50
200	508	174	443	98	249	284	7.2	344	8.7	26.2	66
250	635	218	553	123	311	356	9.0	430	10.9	32.7	83
300	762	261	664	147	374	427	10.8	-	-	39.3	100

The above numbers are approximate, and may be slightly different from the actual measurements.

**MITSUBISHI ELECTRIC AUSTRALIA**

348 Victoria Rd Rydalmere, NSW 2116 Phone: (02) 9684 7777 Fax: (02) 9684 7208

To find out more about the XD530E and other projectors, visit us at

[www.MitsubishiElectric.com.au](http://www.MitsubishiElectric.com.au)