



GET YOUR MESSAGE ACROSS WITH MORE CLARITY AND IMPACT.
The projector for today's evolving classroom.



NEW

Ultra-short Throw XGA

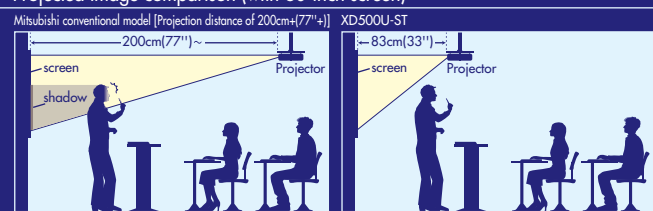
XD500U-ST

Functional Performance at its Best

► Ultra-short Throw Projection

The issue of presenting in environments with limited projection space can be eliminated with the new XD500U-ST. This native XGA projector is equipped with an ultra powerful short-throw lens that can project an amazing 60-inch diagonal image from a distance of just 33 inches (83cm) from the screen. With such an amazing short projection distance, concerns of casting a presenter's shadow in front of the screen are now eliminated.

Projected Image comparison (with 60-inch screen)



Due to the extended projection distance, if the instructor stands directly between the projector and the screen, the projector light will enter the instructor's field of vision, blinding them. The instructor's shadow may also be cast over the screen.

With the projector installed close to the screen, the projector light does not get in the instructor's eyes even when directly facing the students. This proximity also keeps the instructor's shadow off the presentation contents.

- 2000 ANSI lumens ► 2500:1 Contrast ratio
- Optional Whiteboard and Blackboard modes
- Centre lens design for easy symmetrical installation
- Splash screen and wall screen support
- Audio and video inputs for computer and video sources
- Time saving instant shut down feature



Splash screen

Easy Maintenance & Enriched Security Features

- Top-access lamp cover for easy lamp replacement
- Filter-free design
- Enhanced security features with reinforced anti-theft security bar and password protection



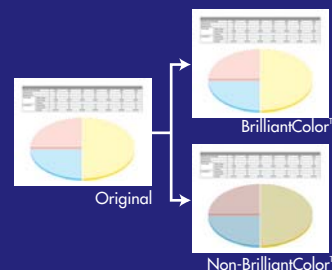
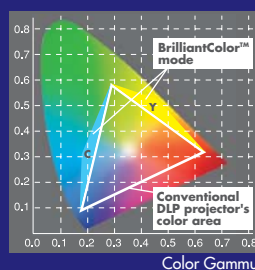
Top Access Lamp Cover

BrilliantColor™ Technology and Mitsubishi Electric's Engineering Yields Superior Colour Performance

BrilliantColor™ Technology is the latest innovation for richer colours and better images that display vibrantly. At Mitsubishi, we developed a 6-segment colour wheel. As well as the regular red, green, blue and white segments, we've added yellow and cyan (RGBWYC) to display a wider colour spectrum. In addition, we've also coded our colour algorithms to offer emphasis on brightness or colour modes, all designed to cater to the environment where the XD500U-ST is being used.

Combined with selective lamp powered modulation techniques, the XD500U-ST with BrilliantColor™ Technology acts intelligently to boost colours that are prone to being darker or less saturated, improving the intensity and vibrancy of the entire displayed image. For instance, where there is a need to project vivid images in an already bright screen image, the lamp is programmed to provide brighter colours where it is necessary to make the displayed image more vibrant. In contrast, when the objective of the display is to deliver an image with emphasis on genuine colour reproduction, the algorithm will deliver just the right colours with the appropriate radiance for maximum visual impact.

* BrilliantColor is a trademark of Texas Instruments.

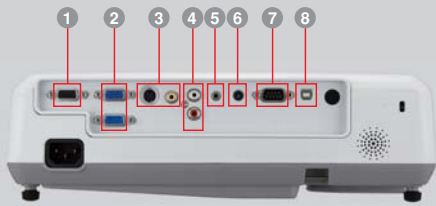




Ultra-short Throw XGA **XD500U-ST**



Input and Output Terminals



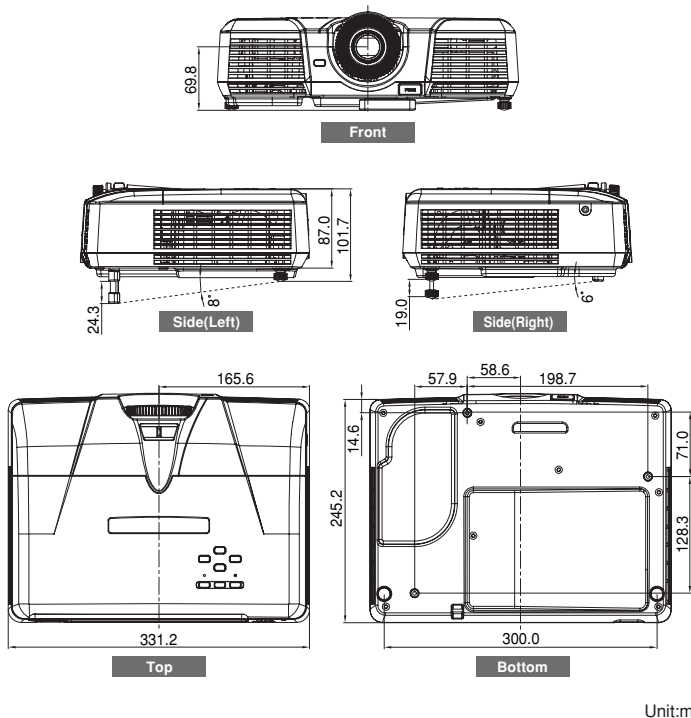
- 1 PC / Component Video output
- 2 PC / Component Video input (mini D-sub 15pin)
- 3 S-Video / RCA
- 4 Audio input [RCA jack (L/R)]
- 5 Audio input (stereo mini jack)
- 6 Audio output
- 7 Serial RS-232C
- 8 USB terminal for Page Up/Down

Specifications

Model	XD500U-ST
Display technology	0.55"1-Chip DMD
Resolution	1024 x 768 (total 786,432 pixels)
Brightness (Max.)	2000lm
Contrast	2500:1
Picture Size	40"~ 300"
Source lamp**	230W (Shut Off Time 3000Hrs) with Low Mode, 280W (Shut Off Time 2000Hrs) with Standard Mode
Computer compatibility	640 x 480 ~ 1280 x 1024, True: 1024 x 768, Sync on green available
Video compatibility	NTSC / NTSC4.43 / PAL (including PAL-M, N) / SECAM / PAL-60 Component Video : 480i/p (525i/p), 576i/p (625i/p), 720p (750p), 1080i (1125i 60Hz), 1080i (1125i 50Hz)
Input terminals	RGB : mini D-sub15pin x 2, Video : RCA x 1 + S-video x 1 Audio : stereo mini jack (φ3.5mm) x 1, RCA jack (L/R) x 1
Output terminals	RGB : mini D-sub15pin x 1, Audio : stereo mini jack (φ3.5mm) x 1
Communication terminals	RS-232C (D-sub 9pin) x 1, USB terminal for Page Up/Down x 1
Audio speaker	2W mono
Dimensions(WxHxD)	332 x 102 x 250 mm / 13.1 x 4.0 x 9.8 inch (excluding height adjustment)
Weight	3.3kg / 7.3lbs
Power supply	AC100-240V, 50/60Hz
Optional lamp	VLT-XD520LP

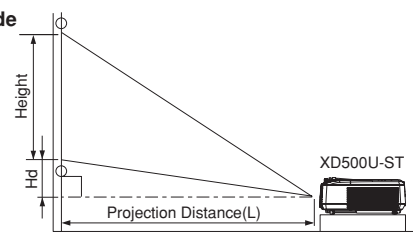
*All brand names and product names are trademarks, registered trademarks or trade names of their respective holders.
**Approximate figure based on average operational life cycle.

Dimensions



Screen size and Projection distance

As seen from the side



Screen size chart

Screen (4:3 aspect ratio)						Distance from screen (L)		Height projected image (Hd)	
Diagonal size		Width (W)		Height (H)		Distance from screen (L)		Height projected image (Hd)	
inch	cm	inch	cm	inch	cm	inch	cm	inch	cm
40	102	32	81	24	61	22	55	1.8	5
60	152	48	122	36	91	33	83	2.7	7
80	203	64	163	48	122	44	112	3.6	9
100	254	80	203	60	152	55	140	4.5	11
150	381	120	305	90	229	83	212	6.8	17
200	508	160	406	120	305	111	283	9.0	23
250	635	200	508	150	381	139	354	11.3	29
300	762	240	610	180	457	167	425	13.5	34

Screen (16:9 aspect ratio)						Distance from screen (L)		Height projected image (Hd)	
Diagonal size		Width (W)		Height (H)		Distance from screen (L)		Height projected image (Hd)	
inch	cm	inch	cm	inch	cm	inch	cm	inch	cm
40	102	35	89	20	50	23	60	5.2	13
60	152	52	133	29	75	36	91	7.9	20
80	203	70	177	39	100	48	122	10.5	27
100	254	87	221	49	125	60	153	13.1	33
150	381	131	332	74	187	91	230	19.6	50
200	508	174	443	98	249	121	308	26.2	66
250	635	218	553	123	311	152	386	32.7	83
300	762	261	664	147	374	182	463	39.3	100

The above numbers are approximate, and may be slightly different from the actual measurements.

MITSUBISHI ELECTRIC AUSTRALIA

348 Victoria Rd Rydalmere, NSW 2116 Phone: (02) 9684 7777 Fax: (02) 9684 7208

To find out more about the XD500U-ST and other projectors, visit us at

www.MitsubishiElectric.com.au