



MITSUBISHI ELECTRIC

MULTIMEDIA DATA/VIDEO PROJECTORS

Changes for the Better



Large, Wide Screen Regardless of Projector Location Short-throw lens for big-screen projection in tight spaces

Functional Performance at Its Best

► Impressive Short-throw Projection

The issue of presenting in locations with limited projection space is eliminated with the new WD500U-ST. This full WXGA projector is equipped with an ultra-powerful short-throw lens capable of projecting an amazing 60-inch (152cm) diagonal image at a distance of just 28in (70cm) from the screen. No more need to worry about presenters casting their shadows on the screen!

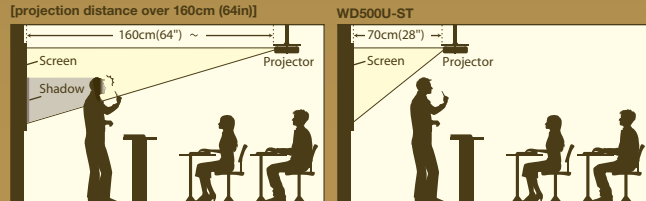


Ultra-short Throw Projector

WD500U-ST

Projected Image Comparison (60in screen)

Previous Mitsubishi Electric Model
[projection distance over 160cm (64in)]



Long projection distances sometimes require the presenter to stand between the projector and screen, casting a shadow onto the image, and light from the projector may enter the presenter's field of vision, blinding them momentarily when facing the audience.

By installing the projector close to the screen, the presenter never has to cross the projection path, eliminating the problem of shadows on the screen. Furthermore, projected light does not enter the presenter's field of vision.

- 2100lm brightness ► 2500:1 contrast ratio
- Optional whiteboard and blackboard modes
- Centre lens design for easy symmetrical installation
- Splash screen and wall screen support
- Audio and video inputs for computer and video sources
- Time saving instant shut-down feature



Splash screen

Easy Maintenance & Improved Security Features

- Top-access lamp cover for easy lamp replacement
- Filter-free design
- Enhanced security features with reinforced anti-theft security bar and password protection



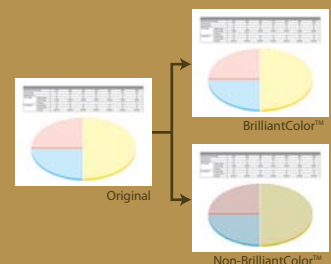
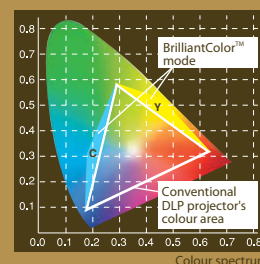
Top-access lamp cover

BrilliantColor™ Technology and Mitsubishi Electric Engineering Yield Superior Colour Performance

BrilliantColor™ technology is one of Texas Instruments' latest innovations for the production of amazingly rich and vibrant colours. At Mitsubishi Electric, we have developed a 6-segment R, G, B, W, Y, C colour wheel. Apart from the standard red, green, blue and white, yellow and cyan segments are added to display a wider colour spectrum.

Additionally, our colour algorithms are coded to emphasise brightness and colour gradations that best match the environment the WD500U-ST is being used in. Together with selective lamp-powered modulation techniques, the WD500U-ST intelligently processes the source data to boost colour and improve the intensity and vibrancy of the overall image. For example, when projecting an already bright screen image, the lamp is programmed to provide brighter, more vivid colours. In contrast, if the image shows genuine colour reproduction, the algorithm delivers just the right colours with the appropriate luminance for maximum visual impact.

* BrilliantColor™ is a trademark of Texas Instruments.





Ultra-short Throw Projector

WD500U-ST

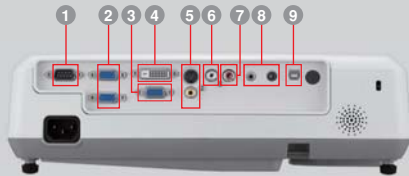
- Brilliant Color™
- Colour enhancer
- Gamma mode
- Wall screen
- Cinema mode
- Freeze function
- Digital expanded zoom
- Splash screen
- Page up/down
- Digital keystone
- Password protection
- Lamp mode
- Automatic power on
- Automatic power off
- Instant shutdown
- Centre lens
- Ceiling mounted
- Ultra-short throw lens
- Closed caption

Picture performance

Presentation

User friendly

Input and Output Terminals



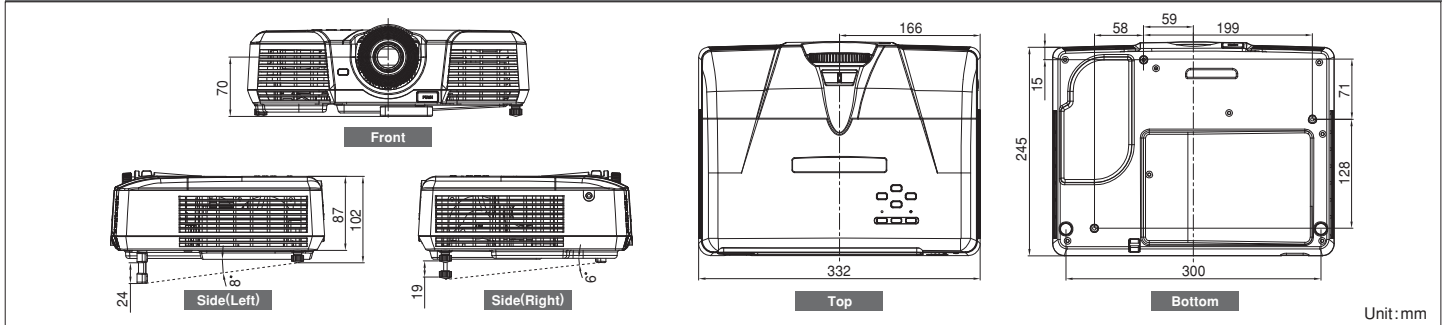
- 1 Serial RS-232C
- 2 PC / Component Video input (mini D-sub 15pin)
- 3 PC / Component Video output
- 4 DVI-D (with HDCP)
- 5 S-Video / RCA
- 6 Audio input [RCA jack (L/R)]
- 7 Audio input (stereo mini jack)
- 8 Audio output
- 9 USB terminal for Page Up/Down

Specifications

Model	WD500U-ST
Display technology	0.65"1-Chip DMD
Resolution	1280 x 800 (total 1,024,000 pixels)
Brightness (Maximum)	2100lm
Contrast	2500:1
Picture Size	40" ~ 300"
Source lamp**	180W (Shut Off Time 4000Hrs) with Low Mode, 230W (Shut Off Time 2000Hrs) with Standard Mode
Computer compatibility	640 x 480 ~ 1280 x 1024, True: 1280 x 800, Sync on green available
Video compatibility	NTSC / NTSC4.43 / PAL (including PAL-M, N) / SECAM / PAL-60 Component Video: 480i/p (525i/p), 576i/p (625i/p), 720p (750p), 1080i (1125i 60Hz), 1080i (1125i 50Hz)
Input terminals	RGB: mini D-sub15pin x 2, DVI-D (with HDCP), Video: RCA x 1 + S-video x 1 Audio: stereo mini jack (φ3.5mm) x 1, RCA jack (L/R) x 1
Output terminals	RGB: mini D-sub15pin x 1, Audio: stereo mini jack (φ3.5mm) x 1
Communication terminals	RS-232C (D-sub 9pin) x 1, USB terminal for Page Up/Down x 1
Audio speaker	2W mono
Dimensions (WxHxD)	332 x 102 x 250 mm (excluding height adjustment)
Weight	3.4kg
Power supply	AC100-240V, 50/60Hz
Optional lamp	VLT-XD510LP

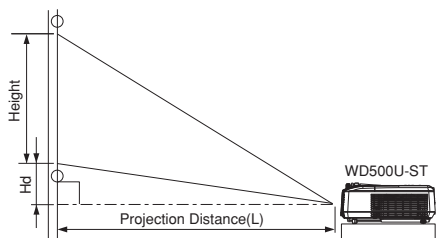
*Compliance with ISO21118-2005 **Approximate figure representing average operational life cycle

Dimensions



Screen size and Projection distance

As seen from the side



Screen size chart

Diagonal size	Screen (16:10 aspect ratio)				Distance from screen (L)		Height projected image (Hd)		
	Width (W)		Height (H)		inch	m	inch	cm	
40	inch	cm	inch	cm	inch	cm	inch	cm	
60	102	34	86	21	54	18	0.5	1.6	4
80	152	51	129	32	81	28	0.7	2.4	6
100	203	68	172	42	108	37	0.9	3.2	8
150	254	85	215	53	135	47	1.2	4.0	10
200	381	127	323	79	202	70	1.8	6.0	15
250	508	170	431	106	269	94	2.4	8.0	20
300	635	212	538	132	337	118	3.0	10.0	25
300	762	254	646	159	404	142	3.6	12.0	30

The above numbers are approximate, and may be slightly different from the actual measurements.

MITSUBISHI ELECTRIC AUSTRALIA

348 Victoria Rd Rydalmere, NSW 2116 Phone: (02) 9684 7777 Fax: (02) 9684 7208

To find out more about the WD500U-ST and other projectors, visit us at

www.MitsubishiElectric.com.au