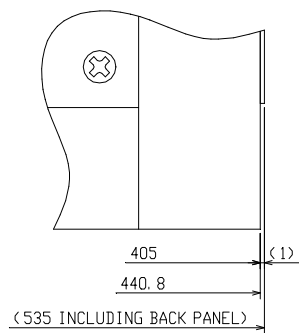
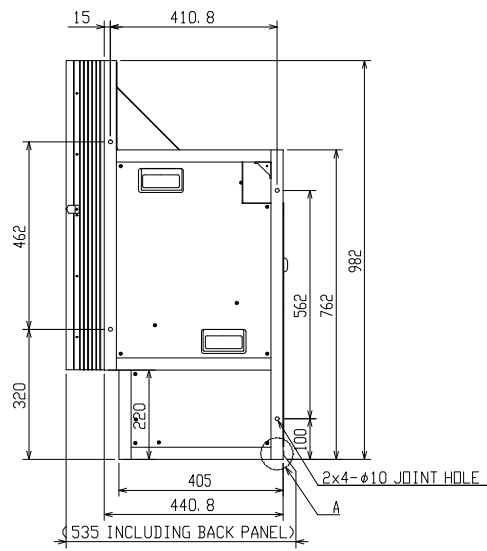
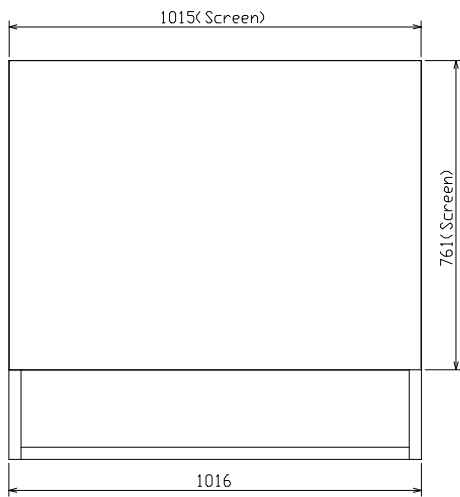
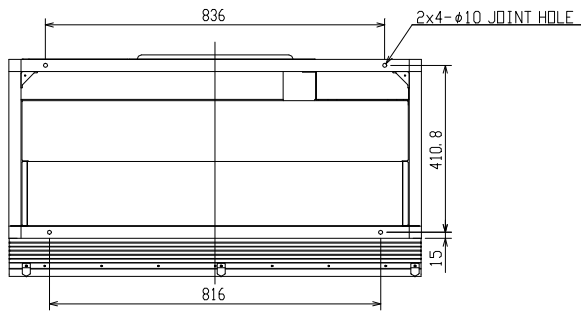


External dimensions (Unit: mm)



DETAIL A