



SXGA+ projector for medical use

MH2850U

The Key to Precision Medical Image Projection

The combination of virtual DICOM mode and SXGA+ resolution ensures high definition crystal-clear medical images. For X-ray photographs, MRI and CT scans, this projector is ready to go right out of the box. Install the unit in conference rooms for use in pre-operation meetings, training for intern doctors and other broad-based applications in the field of medical image projection. The MH2850 has preset picture settings suitable to X ray photos. Clear Base mode is designed to look at X-ray photos in CLEAR BASE. BLUE BASE mode is designed to look X-ray photos in BLUE BASE.



Auto mode



Virtual DICOM mode

Supporting the evolving frontlines of healthcare with our super-bright SXGA+ projector.

New-generation LCD panel takes brightness to 3100lm

Featuring the latest generation inorganic LCD panels, the MH2850U offers high contrast images at an immaculate brightness of 3100 lumens, giving the user crystal-clear picture quality void of vertical stripe noise. Additionally, the inorganic LCD panels pack twice the service life of organic orientation film, ensuring high-quality images that retain their sharpness and vibrancy over the long run.

Lamp Side Replacement

The lamp may be removed from the side of the projector unit. This simplifies lamp replacement when the projector is suspended from the ceiling or resting on a shelf.

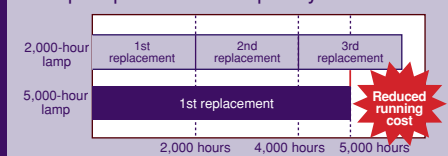


Long Life Lamp ~ Maximum 5,000 hours

Supported by our optimum design for light source lamp temperature control, maximum light source lamp use soars to 5,000 hours.*¹ This makes for dramatic reductions in running cost, while likewise slashing replacement hassle for the light source lamp.*²

(*1): When used at the low lamp mode. Maximum lamp life at standard mode use is 2,000 hours. (*2): Lamp life refers to the average time required for brightness to be reduced by half, and not the time specified in the warranty. Use time may vary widely by the environment and conditions, and whether or not cleaning and other maintenance procedures are followed.

Lamp Replacement Frequency*²



Handles Optional Lenses

Besides the standard lens, the MH2850U is also engineered to use various optional lenses. Choose the lens that best fits your installation parameters.



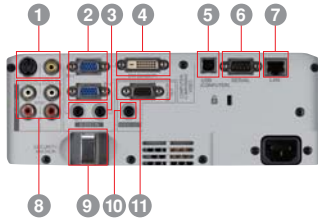
OL-XL2550MZ



SXGA+ projector for medical use MH2850U

Input and Output Terminals

Enhanced terminal group realizes a versatile range of presentations.



- 1 S-Video / Video input
- 2 PC / Component Video input (mini D-sub 15pin)
- 3 PC / Audio input
- 4 DVI-D (with HDCP) input
- 5 USB terminal for mouse control
- 6 Serial RS-232C (D-sub 9pin)
- 7 LAN (RJ-45)
- 8 Video / Audio input
- 9 Security Anchor
- 10 Audio output
- 11 Monitor output

Options

Replacement lamp
VLT-XL650LP



Option Lens Line-up

	Short Throw Zoom Lens OL-XL2550MZ	Long Throw Zoom Lens OL-XL2550LZ	Tele Throw Zoom Lens OL-XL2550TZ
Model			
Zoom / Focus	Manual (1.3x)	Manual (1.5x)	Manual (1.5x)
Projection Lens	f=29-37mm F1.7-2.0	f=32-48mm F2.2-2.8	f=48-74mm F2.2-2.7

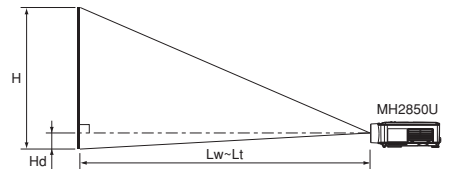
Specifications

Model	MH2850U
Display technology	0.8" 3-LCD (with Micro Lens)
Resolution	1400 x 1050 (total 1,470,000 pixels)
Brightness (Maximum)	3100lm
Contrast	600 : 1 (on/off)
Projection lens	f=24-29mm, F1.7-1.9
Throw ratio	1.5-1.8
Offset axis	9up : 1down (No variable lens shift)
Picture Size	40"~300" (100"=3.0~3.6m)
Source lamp**	220W (Shut Off Time 5000Hrs) with Low Mode 261W (Shut Off Time 2000Hrs) with Standard Mode
Computer compatibility	640 x 480 ~ 1600 x 1200 True: 1400 x 1050, Sync on green available
Video compatibility	NTSC/NTSC4.43/PAL(including PAL-M, N)/SECAM/PAL-60, Component Video: 480i/p(525i/p), 576i/p(625i/p), 720p(750p 50/60Hz), 1080i(1125i 50/60Hz), 1080p(1125p 50/60Hz), SCART(RGB+1V sync)
Digital keystone	Vertical: MAX +/- 35 deg, Horizontal: MAX +/- 25 deg
PC input terminals	PC: Mini D-sub 15pin x 2, DVI-D(with HDCP) x 1, Audio: Stereo mini(φ3.5) x 2
Video input terminals	Video: RCA x 1, S-VIDEO x 1, Audio: RCA(L,R) x 2
Output terminals	Monitor Out: Mini D-sub 15pin x 1, Audio: Stereo Mini(φ3.5) x 1
Communication terminals	LAN(RJ-45) x 1(for projector control), RS-232C(D-Sub 9pin) x 1, USB terminal x 1(for mouse control)
Audio speaker	3W mono
Dimension (WxHxD)	333 x 125 x 272mm (excluding height adjustment)
Weight	4.9kg / 10.8lbs
Power supply	AC100 - 240V, 50/60Hz
Optional lamp	VLT-XL650LP

*All brand names and product names are trademarks, registered trademarks or trade names of their respective holders.
*Compliance with ISO21118-2005
*This product is not in compliance with DICOM Part 14. Do not use this product for actual medical diagnosis.
**Approximate figure representing average operational life cycle.

Screen size and Projection distance

As seen from the side



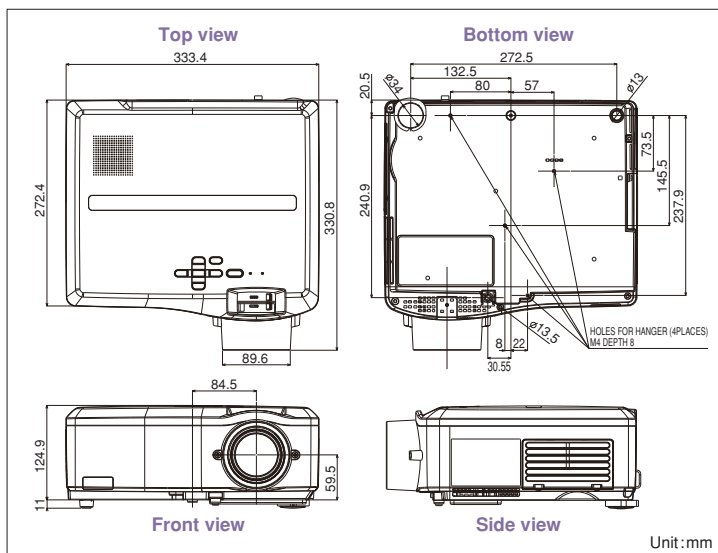
Nominal Lens / Screen size chart (4:3 aspect ratio)

Diagonal size	Screen		Distance from screen (L)				Height projected image (Hd)				
	Width (W)	Height (H)	Maximum Zoom	Minimum Zoom	Maximum Zoom	Minimum Zoom	Maximum Zoom	Minimum Zoom			
inch	cm	inch	cm	inch	cm	inch	m	inch	m	inch	cm
40	102	32	81	24	61	46	1.2	56	1.4	2.4	6
60	152	48	122	36	91	70	1.8	85	2.2	3.6	9
80	203	64	163	48	122	94	2.4	114	2.9	4.8	12
100	254	80	203	60	152	118	3.0	142	3.6	6.0	15
150	381	120	305	90	229	177	4.5	215	5.5	9.0	23
200	508	160	406	120	305	237	6.0	287	7.3	12.0	31
250	635	200	508	150	381	297	7.5	359	9.1	15.0	38
300	762	240	610	180	457	357	9.1	-	-	18.0	46

Option Lens / Screen size chart (4:3 aspect ratio)

Diagonal size	Screen		OL-XL2550MZ			OL-XL2550LZ			OL-XL2550TZ		
	Width (W)	Height (H)	Maximum Zoom	Minimum Zoom	Height projected image (Hd)	Maximum Zoom	Minimum Zoom	Height projected image (Hd)	Maximum Zoom	Minimum Zoom	Height projected image (Hd)
inch	cm	inch	cm	inch	cm	inch	cm	inch	cm	inch	cm
40	102	32	81	24	61	55	1.4	71	1.8	2.4	6
60	152	48	122	36	91	84	2.1	108	2.7	3.6	9
80	203	64	163	48	122	113	2.9	145	3.7	4.8	12
100	254	80	203	60	152	142	3.6	182	4.6	6.0	15
150	381	120	305	90	229	214	5.4	274	6.9	9.0	23
200	508	160	406	120	305	285	7.3	366	9.3	12.0	31
250	635	200	508	150	381	357	9.1	-	-	-	-
300	762	240	610	180	457	429	10.9	-	-	-	-

The above numbers are approximate, and may be slightly different from the actual measurements.



MITSUBISHI ELECTRIC AUSTRALIA

348 Victoria Rd Rydalmere, NSW 2116 Phone: (02) 9684 7777 Fax: (02) 9684 7208

To find out more about the MH2850U and other projectors, visit us at

www.MitsubishiElectric.com.au