

LCD PUBLIC DISPLAY

Changes for the Better

## Large-screen Displays Combining Affordability and Functionality

The most powerful network functions in our line-up, obtainable at low cost and with the benefit of low power consumption. The perfect solution for a wide range of presentation and video-conferencing applications.



### 46" LCD Display LDT 462V

Resolution	<b>1920x1080</b> (Full HD)
Colours	<b>16.7 million</b>
Brightness	<b>400cd/m<sup>2</sup></b>
Contrast Ratio	<b>4000:1</b>
Viewing Angle	<b>Up/Down 178° Left / Right 178°</b>
Response Time	<b>6.5ms</b> (Grey to Grey)

Options  
Stand: **ST-422V**  
SDI Box: **DP-1SDI-3G**



### ● Energy-saving Design

Power consumption of 126W\* has been achieved through measures such as optimized power circuits, contributing to cost savings even during long periods of use.

\*Factory default setting value measured at brightness of 309cd/m<sup>2</sup>, with the speakers turned on and no OPS module attached.

### ● Energy Star-compliant

Built to comply with international standards for energy efficiency, the LDT462V meets Energy Star specifications.

### ● Built-in Speakers (10W + 10W)

Each panel is equipped with two 10W speakers built into the display unit, providing audio without requiring the connection of external speakers.

### ● Compatible with Crestron RoomView™ & AMX Device Discovery

The LDT462V is compatible with both Crestron RoomView™ and AMX Device Discovery, enabling wide expansion of the system architecture.

### ● Intel® OPS-compatible slot

Open Pluggable Specification compatibility allows use of a personal computer card\*<sup>1,2</sup>, eliminating cable connection time and effort, and enabling a wider scope of applications.

\*1 LDT462V is compatible with ARK-DS220F-MTSA1E (Advantech Co. Ltd.). For details, please contact a local Advantech dealership.

\*2 Please ensure that the fan is running at all times when a computer that complies with the OPS standards is attached.

### ● Other Features

**Multi-level Screensaver** The four-level screensaver function allows each level to be set for specific application requirements, increasing panel service life.

**Programmable Scheduling Function** Usage schedule can be preset, saving energy and increasing panel service life by turning displays off when not needed.

**Tiling Capability** Combine up to 25 panels (5 wide x 5 high) to create a single, large image (i.e., video wall) or other high-impact signage.

**Portrait Installation** Panels can be mounted vertically, creating a whole new range of installation possibilities more closely matched to design needs.

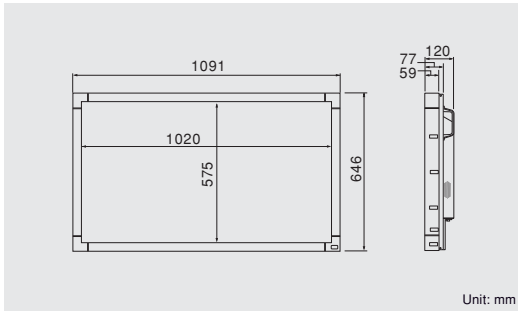
**LAN Control** Connected to a LAN, displays can be controlled and settings changed from a remote location, expanding installation possibilities.

**3G-SDI Box** An SDI box is available as an option, allowing compatibility with standard signal formats (3G-SDI, HD-SDI, SD-SDI) used in the broadcast industry.

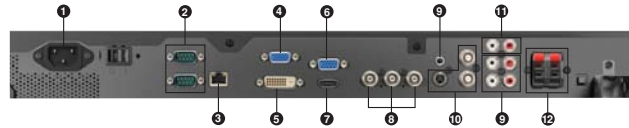
# 46" LCD Display LDT462V



## Dimensions



## Connector Terminals



- 1 Power in (3-pin with earth terminal)
- 2 RS-232C (D-sub 9-pin)
- 3 LAN connector
- 4 RGB out (mini D-sub 15-pin)
- 5 DVI-D in
- 6 D-sub in (mini D-sub 15-pin)
- 7 HDMI in
- 8 YPbPr in (BNC)
- 9 Audio in 1, 2, 3
- 10 Video I/O (BNC), S-terminal in
- 11 Audio out (RCA)
- 12 External speaker terminals
- 13 Option slot

## Specifications

Orientation	Landscape/Portrait	
LCD module	Screen size (diagonal)	46" (1168mm)
	Panel type	VA
	Pixel pitch	0.530mm
	Resolution	1920 × 1080 (Full HD)
	Colour	Approx. 16.7 million
	Brightness	Max.: 400cd/m <sup>2</sup> Factory default setting: 309cd/m <sup>2</sup>
	Contrast ratio	4000:1
	Viewing angle (CR>10)	Up/Down 178°, Left/Right 178°
Response time	6.5ms (Grey to Grey)	
Viewing area	1018.1 × 572.7mm (40.1 × 22.5")	
Power management	VESA DPM	
Plug-n-Play	VESA DDC2B, DDC/CI	
Auto adjustment	Contrast, Position, Phase, Clock	
OSD user functions	Brightness, contrast, black level, zoom, PIP, screensaver, side border colour, Gamma selection, heat status, power-on delay, schedule, tiling, LAN control, closed caption, etc.	
PC input/output	Input connector (Analog)	Mini D-sub 15-pin
	(Digital)	HDMI (PC/AV common), DVI-D (with HDCP, PC/AV common)
	Output connector	Mini D-sub 15-pin
	Horizontal frequency	15.625/15.734, 31.5-91.1kHz
	Vertical frequency	50, 58-85Hz
	Video signal	Analogue: RGB, Digital: TMDS (with HDCP)
Input/Output signal	Sync signal	Analogue: separate (TTL), composite (TTL), Sync-on-Green, Digital: TMDS
	Resolutions supported	640 × 480, 800 × 600, 1024 × 768, 1280 × 768, 1360 × 768, 1280 × 1024, 1600 × 1200 (compressed/simplified), 1920 × 1080, 1920 × 1200 (compressed/simplified)
	Input connector (Analog)	Composite <BNC>, S-terminal, BNC (Y/Pb/Pr)
	(Digital)	HDMI (PC/AV common), DVI-D (with HDCP, PC/AV common), SDI (option)
	Output connector	Analogue: composite <BNC>, Digital: SDI (option)
	Resolutions supported	Composite/Separate: NTSC, PAL, SECAM, 4.43 NTSC, PAL60 Component: 480i, 480p, 576i, 576p, 1080i, 720p, 1080p SDI: 480i/576i (SD-SDI), 720p/1080i (HD-SDI), 1080p (3G-SDI)
Audio input/output	Input connector (Analog)	RCA pin jacks × 2 (L/R), ø3.5-mm stereo mini jack (PC audio)
	(Digital)	HDMI (digital audio), SDI (option)
	Output connector (Analog)	RCA pin jacks (L/R)
	(Digital)	SDI (option)
Power supply	Speaker/Audio output	External speaker connectors (L/R) (impedance 8Ω), Built-in speaker audio output: 10W + 10W (stereo)
	Option slot	OPS slot*1 supported
	Control input/output	RS-232C <D-sub 9-pin>, LAN <modular 8-pin> RS-232C <D-sub 9-pin>
	Voltage, Current Consumption	1.0-2.2A at 100-240VAC, 50/60Hz Max.: 217W*2, Factory default setting: 126W*3
Operating environment	Consumption in sleep mode	Less than 1W Main power switch off: 0W
	Temperature	5-40°C/41-104°F (landscape position), 5-35°C/41-95°F (portrait position)
	Humidity	20-80% (no condensation)
Storage environment	Temperature	-20-60°C/-4-140°F
	Humidity	10-90% (no condensation)/90-93.5% when temperature is more than 40°C
Dimensions (W × H × D)	Net	1091 × 646 × 120mm (43.0 × 25.4 × 4.7")
	Gross	1285 × 885 × 275mm (50.6 × 34.8 × 10.8")
Weight	Net	Approx. 24.9kg/54.9lbs
	Gross	Approx. 33.6kg/74.1lbs
Wall mounting interface	10-M6 screws (100mm/3.9", 200mm/7.9" pitches) for monitor mount	
Regulation/Guideline compliance	UL60950-1/C-UL/EN60950-1/CE/BSMI/GOST-R/FCC-A/DOC-A/EN55022-A/ EN55024/EN61000-3-2/EN61000-3-3/C-Tick/Energy Star/RoHS/US Mercury/CCC only for Chinese model	

\* Specifications shown in this table are subject to change without notice.  
 \*1 The OPS slot complies with the OPS standards recommended by Intel®.  
 \*2 When an OPS module is attached.  
 \*3 When an OPS module is not attached.

## MITSUBISHI ELECTRIC AUSTRALIA PTY LTD

348 Victoria Rd Rydalmere, NSW 2116 Phone: (02) 9684 7777 Fax: (02) 9684 7208

[www.MitsubishiElectric.com.au](http://www.MitsubishiElectric.com.au)



■ All information contained herein may be changed without prior notice.  
 ■ HDMI, High-Definition Multimedia Interface are trademarks or registered trademarks of HDMI Licensing, LLC in the United States and other countries.  
 ■ Other brand, product, and service names are trademarks or registered trademarks of the respective companies.  
 ■ Product appearance in this flyer does not imply that Mitsubishi Electric Corporation intends to make it available in all countries where Mitsubishi Electric Corporation and its subsidiaries operate.  
 ■ Photographs are simulated images.

Revised publication, effective Mar. 2012.  
 Specifications are subject to change without notice.