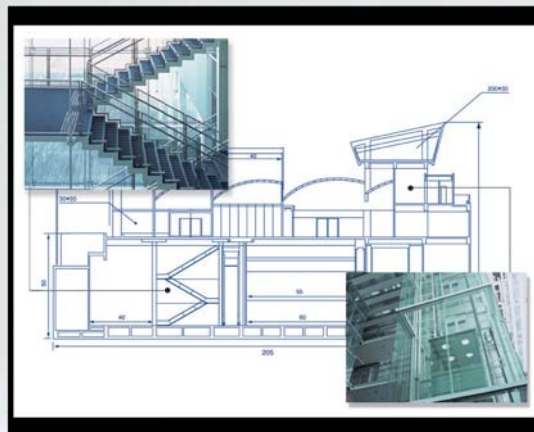




**MITSUBISHI
ELECTRIC**

MULTIMEDIA DATA/VIDEO PROJECTORS

Changes for the Better



Brightness
3100lm

High Resolution
SXGA+

Long Life Lamp
5000hrs
with lamp low mode



HL650U

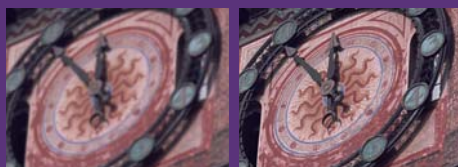
PORTABLE SXGA+ PROJECTOR

Stellar presentations, with high SXGA+ resolution.

Our Inorganic LCD panel takes brightness to 3100 lumens

Featuring the latest generation inorganic LCD panels, the HL650 offers high contrast images at an immaculate brightness of 3100 lumens, giving the user crystal-clear picture quality void of vertical stripe noise.

Additionally, the inorganic LCD panels pack twice the service life of organic orientation film, ensuring high-quality images that retain their sharpness and vibrancy over the long run.



XGA

SXGA+

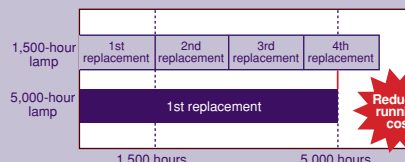
Long Life Lamp ~ Maximum 5,000 hours

Supported by our optimum design for light source lamp temperature control, maximum light source lamp use soars to 5,000 hours.*1 This makes for dramatic reductions in running cost, while at the same time reducing maintenance downtime for lamp replacements.*2

(*1): When used at the low lamp mode. Maximum lamp life at standard mode use is 2,000 hours. (*2): Lamp life refers to the average time required for brightness to be reduced by half, and not the time specified in the warranty. Use time may vary widely by the environment and conditions, and whether or not cleaning and other maintenance procedures are followed.

Lamp Replacement Frequency*

(*): Lamp life refers to the average time required for brightness to be reduced by half, and not the time specified in the warranty.



Side Lamp Replacement

The lamp may be removed from the side of the projector. This makes lamp replacement a breeze when the projector is mounted to a ceiling or wall bracket, as the projector doesn't need to be taken from its mounting.



Security Anchor

A robust key-lock chain can be passed through the projector hook. This reliable anti-theft measure helps prevent unauthorised removal of the projector unit from the premises*.



*Note: Mitsubishi Electric cannot accept responsibility for thefts occurring despite use of this safety feature.



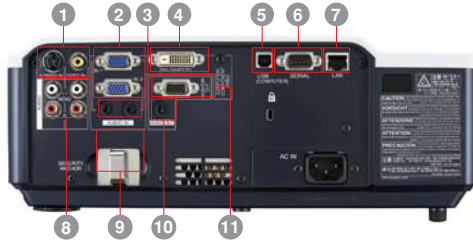
HL650U

PORTABLE SXGA+ PROJECTOR



Input and Output Terminals

Enhanced terminal group realizes a versatile range of presentations.



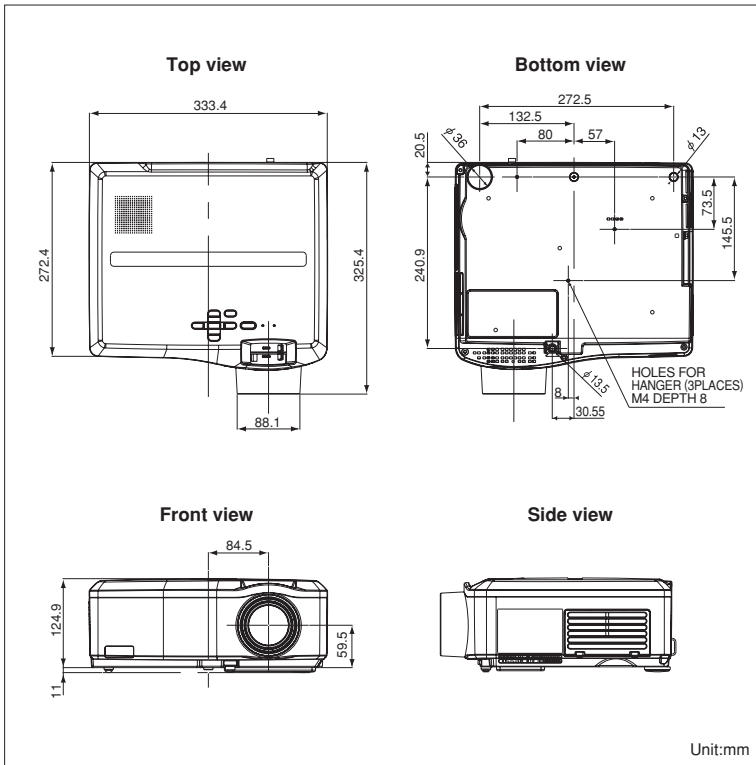
- 1 S-Video / Video input
- 2 PC / Component Video input (mini D-sub 15pin)
- 3 PC / Audio input
- 4 DVI-D (with HDCP) input
- 5 USB terminal for mouse control
- 6 Serial RS-232C (D-sub 9pin)
- 7 LAN (RJ-45)
- 8 Video / Audio input
- 9 Security Anchor
- 10 Audio output
- 11 Monitor output

Specifications

Model	HL650U
Display technology	0.8"3-LCD (with Micro Lens)
Resolution	1400X1050 (total 1,470,000 pixels), 600 video lines
Brightness (Maximum)	3100 lumens
Contrast	600 : 1 (on/off)
Projection lens	f=24-29mm, F1.7-1.9
Picture Size	40"~300" (100"=3.0~3.6m)
Source lamp**	220W (Shut Off Time 5000Hrs) with Low Mode 261W (Shut Off Time 2000Hrs)
Computer compatibility	640X480~1600X1200 True: 1400X1050, Sync on green available
Video compatibility	NTSC/NTSC4.43/PAL (including PAL-M, N)/SECAM/PAL-60, Component Video: 480i/p (525i/p), 576i/p (625i/p), 720p (750p 50/60Hz), 1080i (1125i 50/60Hz), SCART (RGB+1V sync)
PC input terminals	PC: mini D-sub 15pin X2, DVI-D (with HDCP) X1, Audio: stereo mini (#3.5) X2
Video input terminals	Video: RCAX1, S-video X1, Audio: RCA (L,R) X2
Output terminals	Monitor Out: mini D-sub 15pin X1, Audio: stereo mini (#3.5) X2
Communication terminals	LAN (RJ-45) X1, RS-232C (D-Sub 9 pin) X1, USB terminal for mouse control X1
Audio speaker	3W mono
Fan noise	29dB
Dimension (W X H X D)	333X125X272mm (excluding height adjustment)
Weight	4.9kg / 10.8lbs
Power supply	AC100 - 240V, 50/60Hz
Optional lamp	VLT-XL650LP

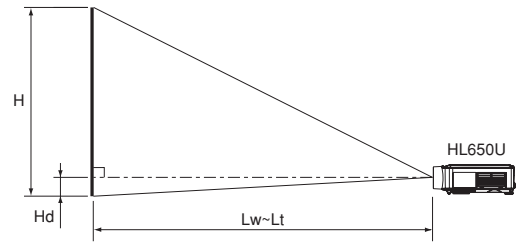
*All brand names and product names are trademarks, registered trademarks or trade names of their respective holders.
**Approximate figure representing average operational life cycle.

Dimensions



Screen size and Projection distance

As seen from the side



Screen size chart (4:3 aspect ratio)

Screen		Distance from screen (L)				Height projected image (Hd)					
Diagonal size	Width (W)	Height (H)	Maximum Zoom	Minimum Zoom							
inch	cm	inch	cm	inch	m	inch	cm				
40	102	32	81	24	61	46	1.2	56	1.4	2.4	6
60	152	48	122	36	91	70	1.8	85	2.2	3.6	9
80	203	64	163	48	122	94	2.4	114	2.9	4.8	12
100	254	80	203	60	152	118	3.0	142	3.6	6.0	15
150	381	120	305	90	229	177	4.5	215	5.5	9.0	23
200	508	160	406	120	305	237	6.0	287	7.3	12.0	31
250	635	200	508	150	381	297	7.5	359	9.1	15.0	38
300	762	240	610	180	457	357	9.1	-	-	18.0	46

The above numbers are approximate, and may be slightly different from the actual measurements.

Option



Lamp
VLT-XL650LP

MITSUBISHI ELECTRIC AUSTRALIA

348 Victoria Rd Rydalmere, NSW 2116 Phone: (02) 9684 7777 Fax: (02) 9684 7208

To find out more about HL650U and our projectors, visit us at

www.MitsubishiElectric.com.au