

MITSUBISHI ELECTRIC

MULTIMEDIA DATA/VIDEO PROJECTORS



Optional lens compatible

Precise colour reproduction. Super-bright SXGA+ Projector

PORTABLE SXGA+ PROJECTOR

HL2750U



Changes for the Better

Our new-generation panel takes brightness to 3100lm

Featuring the latest generation inorganic LCD panels, the HL2750U offers high contrast images at an immaculate brightness of 3100 lumens, giving the user crystal-clear picture quality void of vertical stripe noise.

Additionally, the inorganic LCD panels pack twice the service life of organic orientation film, ensuring high-quality images that retain their sharpness and vibrancy over the long run.



XGA

SXGA+

Optional Lenses available

Besides the standard lens, the HL2750U is also engineered to use various optional lenses. Choose the lens that best fits your installation parameters.



OL-XL2650MZ

Long Life Lamp ~ Maximum 5,000 hours

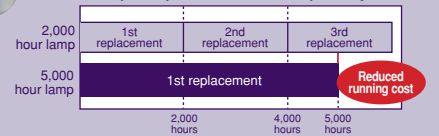
Supported by our optimum design for light source lamp temperature control, maximum light source lamp use soars to 5,000 hours.*1 This makes

dramatic reductions in running cost, while likewise slashing replacement hassle for the light source lamp as a consumable part.*2

(*1): When used in low lamp mode. Maximum lamp life in standard mode is 2,000 hours.

(*2): Lamp life refers to the average time required for brightness to be reduced by half, and not the time specified in the warranty. Use time may vary widely by the environment and conditions, and whether or not cleaning and other maintenance procedures are followed.

Lamp Replacement Frequency*2



Lamp Side Replacement

The lamp may be removed from the side of the projector. This makes lamp replacement a breeze when the projector is mounted to a ceiling or wall bracket, as the projector doesn't need to be taken from its mounting.



Security Anchor

A robust key-lock chain may be passed through the projector hook. This reliable anti-theft measure helps prevent unauthorised removal of the projector from the premises.



Note: Mitsubishi Electric cannot accept responsibility for thefts occurring despite use of this safety feature.

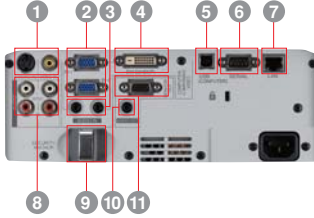




PORTABLE SXGA+ PROJECTOR HL2750U

Input and Output Terminals

Enhanced terminal group for a versatile range of presentation options.



- 1 S-Video / Video input
- 2 PC / Component Video input (mini D-sub 15pin)
- 3 PC / Audio input
- 4 DVI-D (with HDCP) input
- 5 USB terminal for mouse control
- 6 Serial RS-232C (D-sub 9pin)
- 7 LAN (RJ-45)
- 8 Video / Audio input
- 9 Security Anchor
- 10 Audio output
- 11 Monitor output

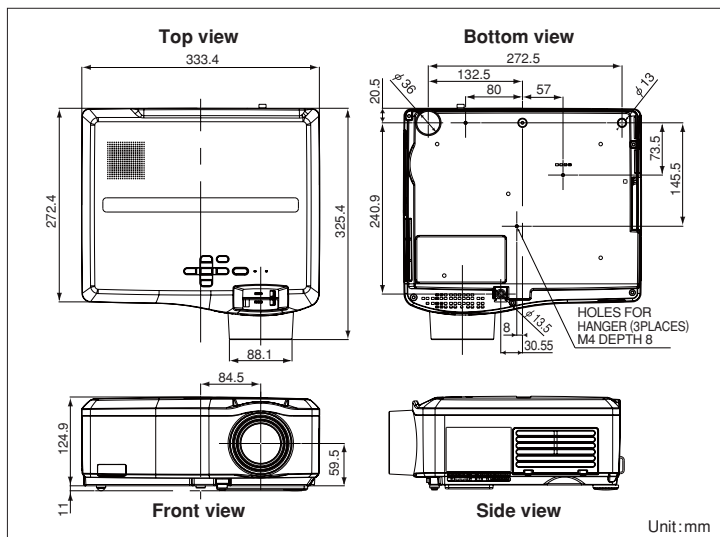
Options

Replacement lamp
VLT-XL650LP



Option Lens Line-up

	Short Throw Zoom Lens OL-XL2550MZ	Long Throw Zoom Lens OL-XL2550LZ	Tele Throw Zoom Lens OL-XL2550TZ
Model			
Zoom / Focus	Manual (1.3x)	Manual (1.5x)	Manual (1.5x)
Projection Lens	f=29-37mm F1.7-2.0	f=32-48mm F2.2-2.8	f=48-74mm F2.2-2.7



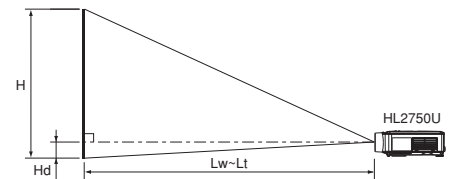
Specifications

Model	HL2750U
Display technology	0.8" 3-LCD (with Micro Lens)
Resolution	1400x1050 (total 1,470,000 pixels)
Brightness (Maximum)	3100lm
Contrast	600 : 1 (on/off)
Projection lens	f=24-29mm, F1.7-1.9
Throw ratio	1.47-1.77
Offset axis	9up : 1down (No variable lens shift)
Picture Size	40"~300" (100"=3.0~3.6m)
Source lamp**	220W (Shut Off Time 5000Hrs) with Low Mode 261W (Shut Off Time 2000Hrs) with Standard Mode
Computer compatibility	640x480 ~ 1600x1200 True: 1400x1050, Sync on green available
Video compatibility	NTSC/NTSC4.43/PAL(including PAL-M, N)/SECAM/PAL-60, Component Video: 480i/p(525i/p), 576i/p(625i/p), 720p(750p 50/60Hz), 1080i(1125i 50/60Hz), 1080p(1125p 50/60Hz), SCART(RGB+1V sync)
Digital keystone	Vertical: MAX +/- 35 deg, Horizontal: MAX +/- 25 deg
PC input terminals	PC: Mini D-sub 15pinx2, DVI-D(with HDCP)x1, Audio: Stereo mini(φ3.5)x2
Video input terminals	Video: RCAx1, S-VIDEOx1, Audio: RCA(L,R)x2
Output terminals	Monitor Out: Mini D-sub 15pinx1, Audio: Stereo Mini(φ3.5)x1
Communication terminals	LAN(RJ-45)x1(for projector control), RS-232C(D-Sub 9pin)x1, USB terminalx1(for mouse control)
Audio speaker	3W mono
Dimension (WxHxD)	333 x 125 x 272mm (excluding height adjustment)
Weight	4.9kg / 10.8lbs
Power supply	AC100 - 240V, 50/60Hz
Optional lamp	VLT-XL650LP

*All brand names and product names are trademarks, registered trademarks or trade names of their respective holders.
**Compliance with ISO21118-2005. **Approximate figure representing average operational life cycle.

Screen size and Projection distance

As seen from the side



Nomal Lens / Screen size chart (4:3 aspect ratio)

Diagonal size	Screen			Distance from screen (L)				Height projected image (Hd)			
	Width (W)	Height (H)		Maximum Zoom	Minimum Zoom			inch	cm		
40	102	32	81	24	61	46	1.2	56	1.4	2.4	6
60	152	48	122	36	91	70	1.8	85	2.2	3.6	9
80	203	64	163	48	122	94	2.4	114	2.9	4.8	12
100	254	80	203	60	152	118	3.0	142	3.6	6.0	15
150	381	120	305	90	229	177	4.5	215	5.5	9.0	23
200	508	160	406	120	305	237	6.0	287	7.3	12.0	31
250	635	200	508	150	381	297	7.5	359	9.1	15.0	38
300	762	240	610	180	457	357	9.1	-	-	18.0	46

Option Lens / Screen size chart (4:3 aspect ratio)

Diagonal size	Screen			OL-XL2550MZ		OL-XL2550LZ		OL-XL2550TZ		Height projected image (Hd)	
	Width (W)	Height (H)		Maximum Zoom	Minimum Zoom	Maximum Zoom	Minimum Zoom	Maximum Zoom	Minimum Zoom	inch	cm
40	102	32	81	24	61	55	1.4	71	1.8	2.4	6
60	152	48	122	36	91	84	2.1	108	2.7	3.6	9
80	203	64	163	48	122	113	2.9	145	3.7	4.8	12
100	254	80	203	60	152	142	3.6	182	4.6	6.0	15
150	381	120	305	90	229	214	5.4	274	6.9	9.0	23
200	508	160	406	120	305	285	7.3	366	9.3	12.0	31
250	635	200	508	150	381	357	9.1	-	-	15.0	38
300	762	240	610	180	457	429	10.9	-	-	18.0	46

The above numbers are approximate, and may be slightly different from the actual measurements.

MITSUBISHI ELECTRIC AUSTRALIA

348 Victoria Rd Rydalmere, NSW 2116 Phone: (02) 9684 7777 Fax: (02) 9684 7208

To find out more about the HL2750U and other projectors, visit us at

www.MitsubishiElectric.com.au