



**MITSUBISHI
ELECTRIC**

MITSUBISHI HOME THEATER PROJECTOR

Changes for the Better

**Enjoy the full theatre experience
in the comfort of your own home
with Mitsubishi Projectors**



HC4900

FULL HD



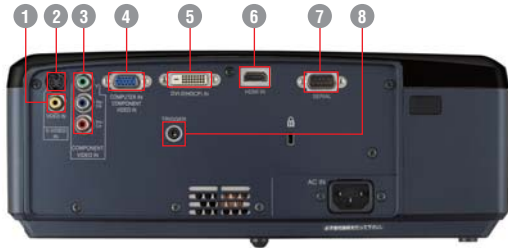
HDMI
HIGH DEFINITION MULTIMEDIA INTERFACE

- ▲ 1080P Full high-definition (1920 x 1080) powered by the next-generation LCD technology
- ▲ Equipped with Mitsubishi's original auto-iris, for contrast up to a massive 7500:1
- ▲ Quietest Fan in its Class, at 19dBA (in low mode)
- ▲ The lamp boasts a 5000-hour service life (at low mode), and can be replaced from the side of the projector - perfect for ceiling mounted installations
- ▲ 1.6-power short-focus motor-drive zoom/focus
- ▲ Complete with ED (extra-low dispersion) glass lens
- ▲ All-direction motor-drive lens shift for greatly enhanced ease of set-up
- ▲ HDMI terminal
- ▲ Trigger terminal



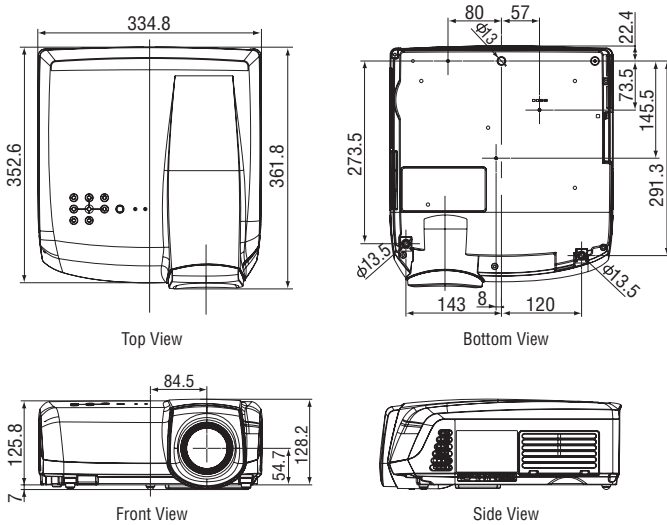
HOME THEATER PROJECTOR HC4900

Input and Output terminals



- 1 Video In
- 2 S-Video
- 3 Component (Y,Pb/Cb,Pr/Cr)
- 4 RGB/Component In x 1
- 5 DVI-D In (with HDCP)
- 6 HDMI x 1
- 7 RS-232C
- 8 Trigger Out

Dimensions



Specifications

Model		HC4900		
Projection system		Transmissive liquid crystal system		
Panel specs	Panel size	0.74 type X 3 Aspect ratio 16:9		
	Number of pixels	1920 X 1080		
	Drive system	3 primary color liquid crystal shutter system		
Optical specs	Array	Stripe pattern		
	Lens	Zoom/focus (Lens shift)	Mortorized operation (V)±75%,(H)Screen Width±5%	
		f (mm)	23.5 - 37.6	
	Light source lamp	160W		
Optical system	Mirror color separation / prism synthesis system			
Iris / Color wheel spec	auto-iris			
Picture size (inches)	50 - 300			
Images	Brightness (lm)	1000		
	Contrast ratio	7500:1 (on/off) with iris operation		
	Resolution	PC input	VGA (640 X 480) - SXGA (1280 X 1024) (compressed)	
	Scanning frequency	Horizontal (kHz)	15 - 100	
		Vertical (Hz)	50 - 120	
Input signal system	Video	NTSC, NTSC4.43, PAL (including PAL-M,N), SECAM, PAL-60 480i/p, 576i/p, 1080i 60/50, 1080p 60/50/24, 720p		
	PC	PC/AT compatible machines, MAC		
Input	Video	Analog RGB	Mini D-sub15 pin	1 terminal
		Digital RGB	HDMI/DVI-D(HDCP)	1 terminal each
		Composite	RCA terminal	1 terminal
		S	S-Video terminal	1 terminal
		Component	RCA terminal	1 terminal (Component can be also input to Mini D-sub15 pin)
		Serial / RS-232C standard		1 terminal (D-sub9 pin)
Functions	Function/other	Gamma mode	3 patterns + 2 users	
	Trapezoidal distortion correction	Vertical keystone	N/A	
		Horizontal keystone	N/A	
	Power supply voltage	AC100-240V 50/60Hz		
	Power consumption (W)	250		
	Weight (kg)	5.6		
	Main unit dimensions	Width (mm)	334	
Depth (mm)		352		
Height (mm)		125		
Fan noise	19dBA (Lamp Low Mode)			
Other	Supplied accessories	AC power cable, remote control unit, AA-size batteries, RGB signal cable, RS-232C cable, User's manual, User's manual CD, Safety manual		

*VGA, SXGA is a registered trademark of IBM Corporation of the United States.

*DarkChip2 is a trademark of Texas Instruments.

Options

Lamp	VLT-HC5000LP
------	--------------

MITSUBISHI ELECTRIC AUSTRALIA

348 Victoria Rd Rydalmere, NSW 2116 Phone: (02) 9684 7777 Fax: (02) 9684 7208

To find out more about HC4900 and our projectors, visit us at

www.MitsubishiElectric.com.au